

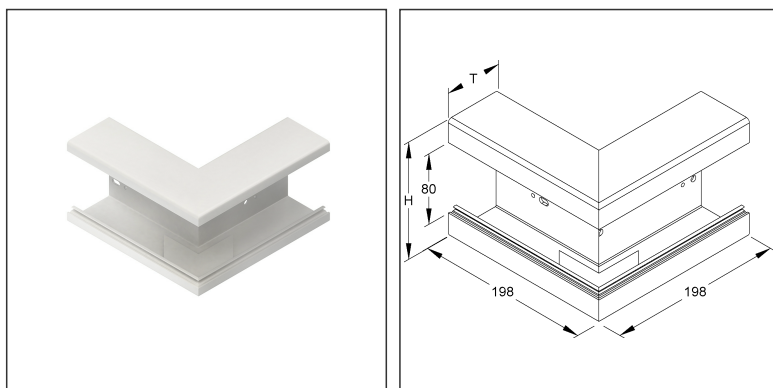
Outside Elbow 90°

single pass symmetrical, with 2 mounting profiles, with bottom perforation

BA1058.6

EAN Code: 4011126054330
 Smallest packaging unit: 2 pcs.

the photorealistic images are to be considered as reference images



Article Description

Outside elbow 90°, with bottom perforation, 105x66 mm, plastics PVC-hard, RAL 9001, cream white

Incl. accessories

2 x KUV

Additional Price Information

Article group	K634
quantity unit	pcs.

Weight

Weight per quantity unit	397 g/ pcs.
Weight in kg per 100	40 kg/ 100pcs.

Technical Datasheet

Device trunking from PVC

BA1058.6

the photorealistic images are to be considered as reference images

Physical Article Dimensions

Height	105.00 mm
Width	198.00 mm
Depth/length	198.00 mm

Packing Dimension

1 piece = 1 piece		✓ VP1-smallest packaging unit (PU)			
Lenght	198.00 mm	Width	198.00 mm	Height	105.00 mm
Gross weight	0,4 kg	Volume	0,004 m ³		
Max. Quantity	1.00 pcs.	Min. quantity	1.00 pcs.		
2 pieces = 1 covering box		✓ VP2-preferred PU			
Lenght	370 mm	Width	282 mm	Height	100.00 mm
Gross weight	0,99 kg	Volume	0,010 m ³		
Min. Quantity	2.00 pcs.	Max. Quantity	2.00 pcs.		

Tender Text

Outside elbow 90°, single flue, symmetrical, with two continuous mounting profiles in the back part and continuous perforation in the trunking back, including two trunking couplings KUV, please order joint connector BSV65 separately for exact connection to the trunking base.

VDE certified!

Dimensions (approx. dimensions) H x D : 105 x 66 mm Cover opening : 80 mm

Side length outside : 198 mm For trunking base : BU651058...

Material : PVC-hard (polyvinyl chloride)

Colour: cream white RAL: 9001 (similar)

Kleinhuis Model No. : BA1058.6

EP Material _____ EP Wage _____

Unit price/piece

Safety & Environment

REACH Date	25.06.2025
REACH Info	Conformable
RoHS Info	Conformable

Origin & International Trade

Country of origin	DE
Customs tariff number	39259020

Related items