

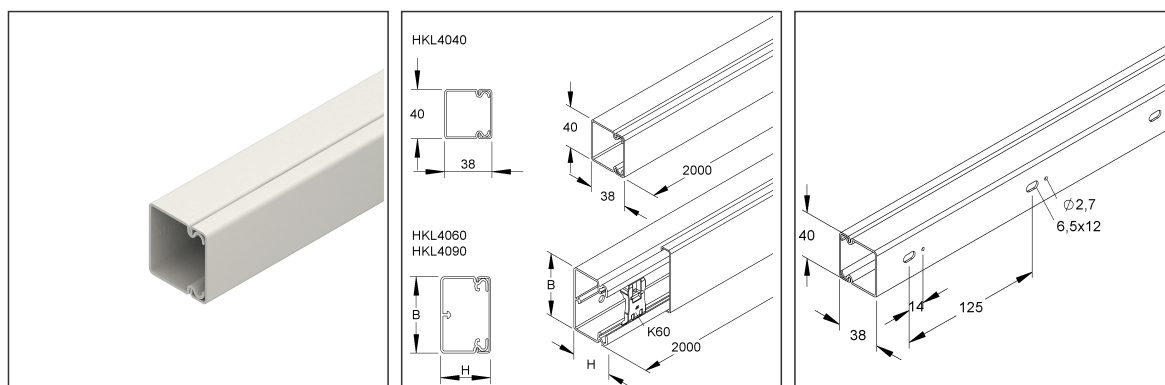
Cable Protection Duct

with perforated bottom, incl. cover without barrier wall

HKL4040.6

EAN Code: 4011126211788
 Smallest packaging unit: 40 m
 quantity unit: m M

the photorealistic images are to be considered as reference images



Article Description

HKL-cable protection duct, with bottom perforation, 38x40x2000 mm, plastics PVC-hard, RAL 9001, cream white

Incl. accessories

-

Additional Price Information

Article group	K640
quantity unit	m

Weight

Weight per quantity unit	389 g / m
Weight in kg per 100	39 kg / 100m

Technical Datasheet

Cable routing duct

HKL4040.6

the photorealistic images are to be considered as reference images

Physical Article Dimensions

Height	40.00 mm
Width	38.00 mm
Depth/length	2000 mm

Packing Dimension

2 meters = 1 piece		✓ VP1-smallest packaging unit (PU)			
Lenght	2000 mm	Width	38.00 mm	Height	40.00 mm
Gross weight	0,78 kg	Volume	0,003 m ³		
Min. quantity	2.00 m	Max. Quantity	2.00 m		
40 meters = 1		✓ VP2-preferred PU			
Lenght	2010 mm	Width	205 mm	Height	160.00 mm
Gross weight	17 kg	Volume	0,066 m ³		
Min. Quantity	40.00 m	Max. Quantity	40.00 m		
800 meters = 1 rack					
Lenght	2090 mm	Width	1055 mm	Height	1090 mm
Gross weight	415 kg	Volume	2,403 m ³		
Min. Quantity	800.00 m	Max. Quantity	800.00 m		

Tender Text

Electrical installation trunking, with cover and single-row fixing holes in the base, without barrier wall, halogen-containing. Please order retaining clips 638/3040 separately.
VDE certified!
Dimensions (approx. dimensions)
Height H x width W : 38 x 40 mm
single row bottom hole : 6.5 x 12 mm and Ø 2.7 mm
Bottom hole spacing grid spacing : 125 mm
Delivery length L : 2000 mm
Usable cross-section : 851 mm²
Material : PVC-hard (Polyvinylchloride)
Colour : cream white
RAL : 9001 (similar)
Kleinhuis Model-No. : HKL4040.6
EP Material_____ EP Wage_____
Unit price/metre

Safety & Environment

REACH Date	25.06.2025
REACH Info	Conformable
RoHS Info	Conformable

Origin & International Trade

Country of origin	DE
Customs tariff number	39259020

Technical Datasheet

Cable routing duct

HKL4040.6

the photorealistic images are to be considered as reference images

Related items