

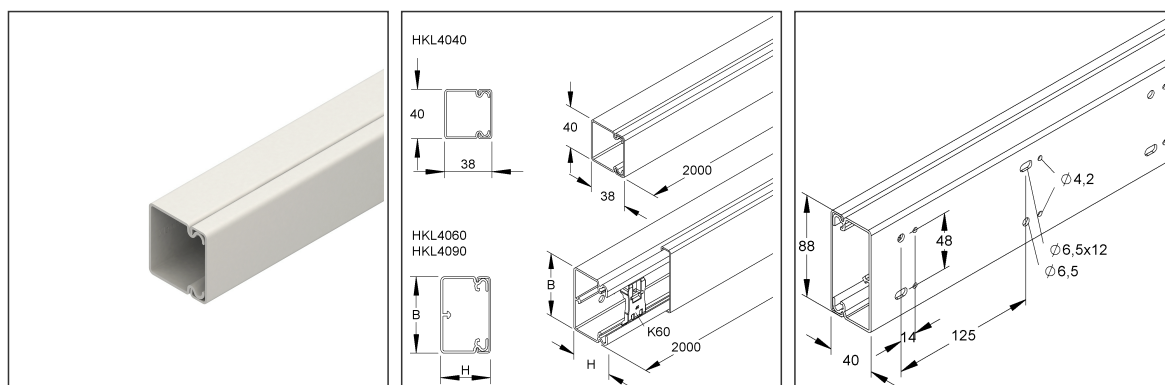
Cable Protection Duct

with perforated bottom, incl. cover without barrier wall

HKL4090.6

EAN Code: 4011126211313
 Smallest packaging unit: 36 m
 quantity unit: m M

the photorealistic images are to be considered as reference images



Article Description

HKL-cable protection duct, with bottom perforation, 40x88x2000 mm, plastics PVC-hard, RAL 9001, cream white, incl. accessories

Incl. accessories

4 x K90

Additional Price Information

Article group	K640
quantity unit	m

Weight

Weight per quantity unit	866 g / m
Weight in kg per 100	87 kg / 100m

Technical Datasheet

Cable routing duct

HKL4090.6

the photorealistic images are to be considered as reference images

Physical Article Dimensions

Height	88.00 mm
Width	40.00 mm
Depth/length	2000 mm

Packing Dimension

2 meters = 1 piece		✓ VP1-smallest packaging unit (PU)			
Lenght	2000 mm	Width	40.00 mm	Height	88.00 mm
Gross weight	1,73 kg	Volume	0,007 m ³		
Min. quantity	2.00 m	Max. Quantity	2.00 m		
36 meters = 1		✓ VP2-preferred PU			
Lenght	2010 mm	Width	265 mm	Height	250 mm
Gross weight	33 kg	Volume	0,133 m ³		
Min. Quantity	36.00 m	Max. Quantity	36.00 m		
324 meters = 1 rack					
Lenght	2090 mm	Width	1055 mm	Height	1090 mm
Gross weight	375 kg	Volume	2,403 m ³		
Min. Quantity	324.00 m	Max. Quantity	324.00 m		

Tender Text

Electrical installation trunking, with cover and double-row, alternating fixing holes in the base, without barrier wall, mounting profile in the base for a barrier wall, including 2 retaining clips K... each 2 m delivery length, halogen-containing.

VDE certified!

Retaining clips : 2 x K90

Dimensions (approx. dimensions)

Height H x width W : 40 x 88 mm

double row of holes in the base : Ø 6.5 x 12 mm, Ø 6.5 mm and 2 x Ø 4.2 mm

Base hole spacing grid spacing : 125 mm

Row spacing : 48 mm

Usable cross-section : 1909 mm²

Material : PVC-hard (polyvinyl chloride)

Colour: cream white

RAL : 9001 (similar)

Kleinhuis Model no. : HKL4090.6

EP Material_____ EP Wage_____

Unit price/metre

Safety & Environment

REACH Date	25.06.2025
REACH Info	Conformable
RoHS Info	Conformable

Technical Datasheet

Cable routing duct

HKL4090.6

the photorealistic images are to be considered as reference images

Origin & International Trade

Country of origin	DE
Customs tariff number	39259020

Related items

Cover

Model No.	Description
SVO90.6	Joint cover, width 90 mm, turning over 12,5 mm, plastics ASA, RAL 9001, cream white

Barrier strip

Model No.	Description
BTR40	Barrier wall, 25x2000 mm, plastics PVC-hard