

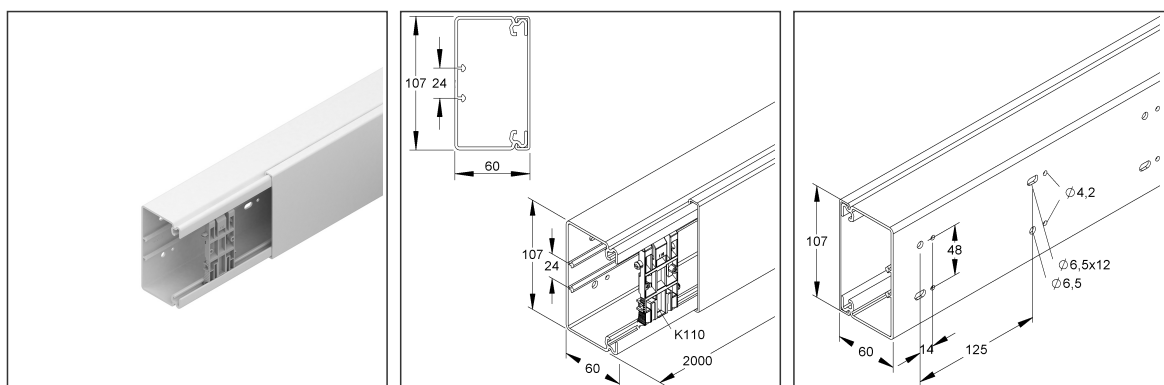
Cable Protection Duct

with perforated bottom, incl. cover without barrier wall

HKL60110.6

EAN Code: 4011126211436
 Smallest packaging unit: 16 m
 quantity unit: m M

the photorealistic images are to be considered as reference images



Article Description

HKL-cable protection duct, with bottom perforation, 60x107x2000 mm, plastics PVC-hard, RAL 9001, cream white, incl. accessories

Incl. accessories

4 x K110

Additional Price Information

Article group	K640
quantity unit	m

Weight

Weight per quantity unit	1,368 kg / m
Weight in kg per 100	137 kg / 100m

Technical Datasheet

Cable routing duct

HKL60110.6

the photorealistic images are to be considered as reference images

Physical Article Dimensions

Height	107.00 mm
Width	60.00 mm
Depth/length	2000 mm

Packing Dimension

2 meters = 1 piece		✓ VP1-smallest packaging unit (PU)			
Lenght	2000 mm	Width	60.00 mm	Height	107.00 mm
Gross weight	2,74 kg	Volume	0,013 m ³		
Min. quantity	2.00 m	Max. Quantity	2.00 m		

16 meters = 1		✓ VP2-preferred PU			
Lenght	2010 mm	Width	215 mm	Height	240 mm
Gross weight	23 kg	Volume	0,104 m ³		
Min. Quantity	16.00 m	Max. Quantity	16.00 m		

192 meters = 1 rack					
Lenght	2090 mm	Width	1055 mm	Height	1090 mm
Gross weight	356 kg	Volume	2,403 m ³		
Min. Quantity	192.00 m	Max. Quantity	192.00 m		

Tender Text

Electrical installation trunking, with cover and double-row, alternating fixing holes in the base, without barrier wall, mounting profile in the base for 2 barrier walls, including 4 retaining clips K... each 2 m delivery length, halogen-containing.

VDE certified!

Retaining clips : 4 x K110

Dimensions (approx. dimensions)

Height H x width W : 60 x 107 mm

double row of holes in the base : Ø 6.5 x 12 mm, Ø 6.5 mm and 2 x Ø 4.2 mm

Base hole spacing grid spacing : 125 mm

Row spacing : 48 mm

Delivery length L : 2000 mm

Usable cross-section : 3876 mm²

Material : PVC-hard (polyvinyl chloride)

Colour : cream white

RAL : 9001 (similar)

Kleinhuis Model no.: HKL60110.6

EP Material_____ EP Wage_____

Unit price/metre

Safety & Environment

REACH Date	25.06.2025
REACH Info	Conformable
RoHS Info	Conformable

Technical Datasheet

Cable routing duct

HKL60110.6

the photorealistic images are to be considered as reference images

Origin & International Trade

Country of origin	DE
Customs tariff number	39259020

Related items

Cover

Model No.	Description
HKLD01/110.6	Perforated cover section single, width 107 mm, combination frame, plastics PVC-hard, RAL 9001, cream white
HKLD02/110.6	Perforated cover section double, width 107 mm, combination frame, plastics PVC-hard, RAL 9001, cream white
HKLD03/110.6	Perforated cover section triple, width 107 mm, combination frame, plastics PVC-hard, RAL 9001, cream white
SVO110.6	Joint cover, width 110 mm, turning over 12,5 mm, plastics ASA, RAL 9001, cream white

Barrier strip

Model No.	Description
BTR65	Barrier wall, 49x2000 mm, plastics PVC-hard