

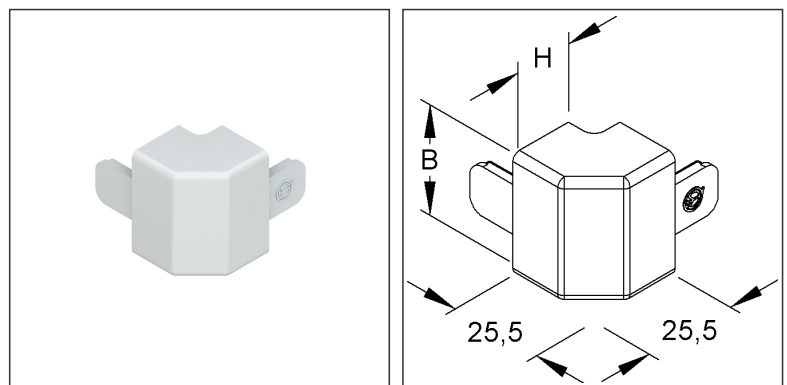
Outside Elbow 90°

with lugs

FA2030.6

EAN Code: 4011126212426
 Smallest packaging unit: 10 pcs.

the photorealistic images are to be considered as reference images



Article Description

Outside elbow 90°, with lugs, 18x30 mm, plastics ASA, RAL 9001, cream white

Additional Price Information

| | |
|---------------|------|
| Article group | K641 |
| quantity unit | pcs. |

Weight

| | |
|--------------------------|-------------------|
| Weight per quantity unit | 6 g / pcs. |
| Weight in kg per 100 | 0,55 kg / 100pcs. |

Physical Article Dimensions

| | |
|--------------|----------|
| Height | 30.00 mm |
| Width | 40.50 mm |
| Depth/length | 40.50 mm |

Technical Datasheet

Cable routing duct

FA2030.6

the photorealistic images are to be considered as reference images

Packing Dimension

| | | | | | |
|------------------------------------|-------------|-------------------------------------|----------------------|--------|-----------|
| 1 piece = 1 piece | | ✓ VP1-smallest packaging unit (PU) | | | |
| Lenght | 41.00 mm | Width | 41.00 mm | Height | 30.00 mm |
| Gross weight | 0,01 kg | Volume | 0,000 m ³ | | |
| Min. quantity | 1.00 pcs. | Max. Quantity | 1.00 pcs. | | |
| 10 pieces = 1 | | ✓ VP2-preferred PU | | | |
| Lenght | 106.00 mm | Width | 91.00 mm | Height | 52.00 mm |
| Gross weight | 0,1 kg | Volume | 0,001 m ³ | | |
| Min. Quantity | 10.00 pcs. | Max. Quantity | 10.00 pcs. | | |
| 100 pieces = 1 covering box | | | | | |
| Lenght | 281 mm | Width | 186.00 mm | Height | 110.00 mm |
| Gross weight | 1,14 kg | Volume | 0,006 m ³ | | |
| Min. Quantity | 100.00 pcs. | Max. Quantity | 100.00 pcs. | | |

Tender Text

Outside elbow 90°, with lugs, fixing is done through the adjacent cover pieces.
 Used for : electrical installation trunking HKL2030.6
 Dimensions (approx. dimensions)
 Height H x width W : 18 x 30 mm
 Side length outside : 25.5 mm
 Material : ASA (acrylic acid ester-styrene acrylonitrile)
 Colour : cream white
 RAL : 9001 (similar)
 Kleinhuis Model no. : FA2030.6
 EP Material_____ EP Wage_____
 Unit price/piece

Safety & Environment

| | |
|------------|-------------|
| REACH Date | 25.06.2025 |
| REACH Info | Conformable |
| RoHS Info | Conformable |

Origin & International Trade

| | |
|-----------------------|----------|
| Country of origin | IT |
| Customs tariff number | 39269097 |