

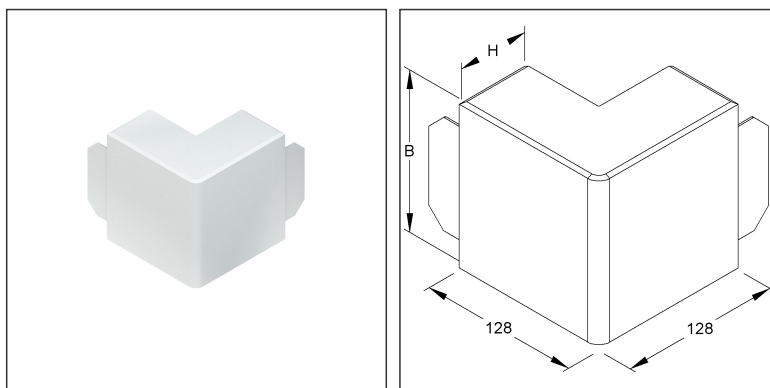
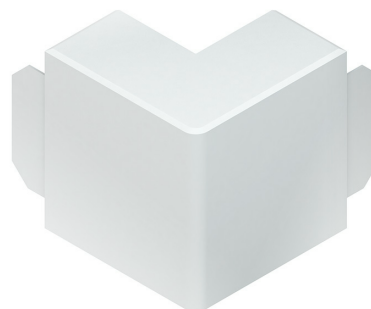
Outside Elbow 90°

with lugs

A60110.3

EAN Code: 4011126193213
 Smallest packaging unit: 2 pcs.

the photorealistic images are to be considered as reference images



Article Description

Outside elbow 90°, with lugs, 60x107 mm, plastics ASA, RAL 9010, pure white

Additional Price Information

| | |
|---------------|------|
| Article group | K641 |
| quantity unit | pcs. |

Weight

| | |
|--------------------------|-----------------|
| Weight per quantity unit | 126 g / pcs. |
| Weight in kg per 100 | 13 kg / 100pcs. |

Physical Article Dimensions

| | |
|--------------|-----------|
| Height | 113.40 mm |
| Width | 158.00 mm |
| Depth/length | 158.00 mm |

Technical Datasheet

Cable routing duct

A60110.3

the photorealistic images are to be considered as reference images

Packing Dimension

| | | | | | |
|-----------------------------------|------------|-------------------------------------|----------------------|--------|-----------|
| 1 piece = 1 piece | | ✓ VP1-smallest packaging unit (PU) | | | |
| Lenght | 158.00 mm | Width | 158.00 mm | Height | 114.00 mm |
| Gross weight | 0,13 kg | Volume | 0,003 m ³ | | |
| Min. quantity | 1.00 pcs. | Max. Quantity | 1.00 pcs. | | |
| 2 pieces = 1 | | ✓ VP2-preferred PU | | | |
| Lenght | 300 mm | Width | 400 mm | Height | 100.00 mm |
| Gross weight | 0,26 kg | Volume | 0,012 m ³ | | |
| Min. Quantity | 2.00 pcs. | Max. Quantity | 2.00 pcs. | | |
| 10 pieces = 1 covering box | | | | | |
| Lenght | 370 mm | Width | 282 mm | Height | 196.00 mm |
| Gross weight | 1,54 kg | Volume | 0,020 m ³ | | |
| Min. Quantity | 10.00 pcs. | Max. Quantity | 10.00 pcs. | | |

Tender Text

Outside elbow 90°, with lugs, fixing is effected by the adjacent cover pieces.
 for electrical installation trunking : HKL60110.3
 Dimensions (approx. dimensions) H x W : 60 x 107 mm
 Side length outside : 128 mm
 Material : ASA (acrylic acid ester styrene acrylonitrile graft copolymer)
 Colour : pure white RAL : 9010 (similar)
 Kleinhuis Model No. : A60110.3
 EP Material_____ EP Wage_____
 Unit price/piece

Safety & Environment

| | |
|------------|-------------|
| REACH Date | 25.06.2025 |
| REACH Info | Conformable |
| RoHS Info | Conformable |

Origin & International Trade

| | |
|-----------------------|----------|
| Country of origin | DE |
| Customs tariff number | 39259020 |