

Hammer Head Bolt M6

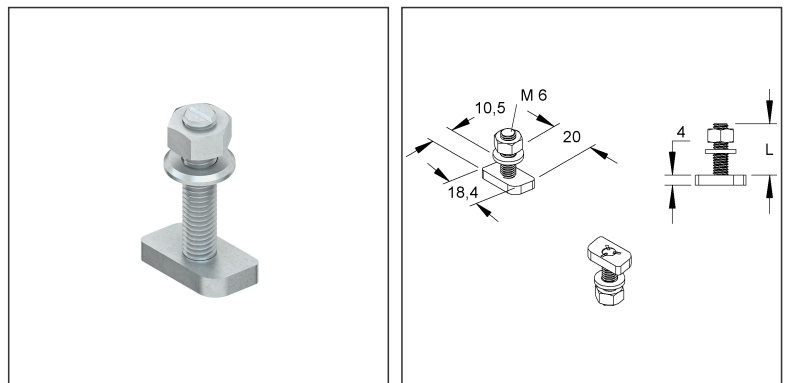
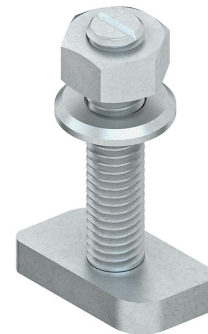
incl. nut and washer

HM 0306/20

EAN Code: 4013339122509

Smallest packaging unit: 100 pcs.

the photorealistic images are to be considered as reference images



Article Description

Hammer head bolt M6, with nut and washer, length 20 mm, steel, electro galvanized according to DIN EN ISO 2081/4042, blue pass

Additional Price Information

Article group	N09
quantity unit	pcs.

Weight

Weight per quantity unit	13 g / pcs.
Weight in kg per 100	1,29 kg / 100pcs.

Technical Datasheet

Screws and nuts

HM 0306/20

the photorealistic images are to be considered as reference images

Physical Article Dimensions

Height	24.00 mm
Width	20.00 mm
Depth/length	10.50 mm

Packing Dimension

100 pieces = 1		✓ VP1-smallest packaging unit (PU)		✓ VP1-preferred PU	
Lenght	138.00 mm	Width	96.00 mm	Height	71.00 mm
Gross weight	1,35 kg	Volume	0,001 m ³		
Min. quantity	100.00 pcs.	Max. Quantity	100.00 pcs.		
18000 pieces = 1					
Lenght	750 mm	Width	750 mm	Height	730 mm
Gross weight	283 kg	Volume	0,411 m ³		
Min. Quantity	18.000.00 pcs.	Max. Quantity	18.000.00 pcs.		

Tender Text

Hammerhead bolt with hexagon nut and washer, can be used at any point in the profile.

Use for : Anchor rail 2920 with 11 mm slot width

Dimensions (approx. dimensions)

Head length : 20 mm

Head width : 10.5 mm

Head height : 4 mm

Thread : M 6

Length L : 20 mm

Strength class : 4.6

Material : Steel, galvanised acc. to DIN EN ISO 4042, blue passivated

NIEDAX Model-No. : HM 0306/20

EP Material _____ EP Lohn _____

Unit price/piece

Safety & Environment

REACH Date	25.06.2025
REACH Info	Conformable
RoHS Info	Conformable

Origin & International Trade

Country of origin	DE
Customs tariff number	73181595