

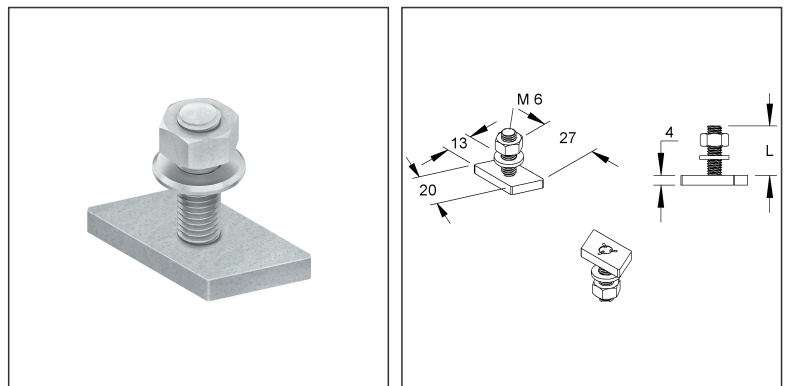
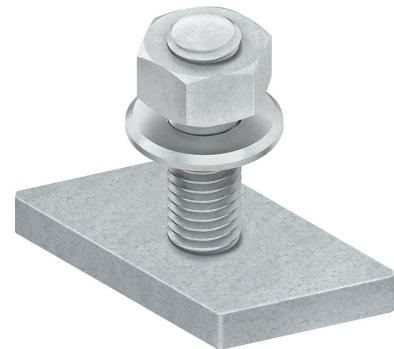
**Hammer Head Bolt M6**

incl. nut and washer

**HM 306/20**

EAN Code: 4013339121502  
Smallest packaging unit: 100 pcs.

the photorealistic images are to be considered as reference images



**Article Description**

Hammer head bolt M6, with nut and washer, length 20 mm, steel, electro galvanized according to DIN EN ISO 2081/4042, blue pass

**Additional Price Information**

Article group	N09
quantity unit	pcs.

**Weight**

Weight per quantity unit	16 g / pcs.
Weight in kg per 100	1,6 kg / 100pcs.

# Technical Datasheet

## Screws and nuts

HM 306/20

the photorealistic images are to be considered as reference images

### Physical Article Dimensions

Height	24.00 mm
Width	27.00 mm
Depth/length	13.00 mm

### Packing Dimension

<b>100 pieces = 1</b>		✓ VP1-smallest packaging unit ( PU)		✓ VP1-preferred PU	
Lenght	138.00 mm	Width	96.00 mm	Height	71.00 mm
Gross weight	1,66 kg	Volume	0,001 m <sup>3</sup>		
Min. quantity	100.00 pcs.	Max. Quantity	100.00 pcs.		
<b>14400 pieces = 1</b>					
Lenght	750 mm	Width	750 mm	Height	730 mm
Gross weight	279 kg	Volume	0,411 m <sup>3</sup>		
Min. Quantity	14.400.00 pcs.	Max. Quantity	14.400.00 pcs.		

### Tender Text

Hammerhead bolt with hexagon nut and washer, can be used at any point in the profile.  
Use for : C-rail model 2913 and C-rail anchor model 2914 with 11 mm slot width and C-rail anchor model 2916 and 2917 with 12 mm slot width  
Dimensions (approx. dimensions)  
Head length : 27 mm  
Head width : 13 mm  
Head height : 4 mm  
Thread : M 6  
Length L : 20 mm  
Strength class : 4.6  
Material : Steel, galvanised acc. to DIN EN ISO 4042, blue passivated  
NIEDAX Model-No. : HM 306/20  
EP Material \_\_\_\_\_ EP Lohn \_\_\_\_\_  
Unit price/piece

### Safety & Environment

REACH Date	25.06.2025
REACH Info	Conformable
RoHS Info	Conformable

### Origin & International Trade

Country of origin	DE
Customs tariff number	73181595