

Hook Head Bolt M10

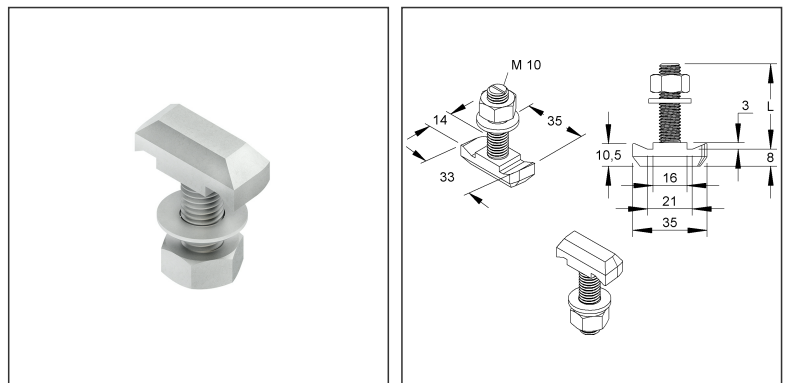
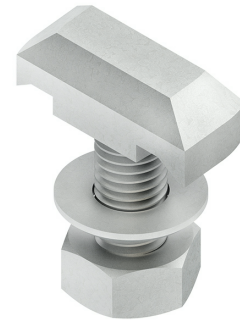
incl. nut and washer

HK 510/30 E5

EAN Code: 4013339123827

Smallest packaging unit: 100 pcs.

the photorealistic images are to be considered as reference images



Article Description

Hook head bolt M10, length 30 mm, stainless steel, material code: 1.4571

Additional Price Information

Article group	N09
quantity unit	pcs.

Weight

Weight per quantity unit	62 g / pcs.
Weight in kg per 100	6,15 kg / 100pcs.

Physical Article Dimensions

Height	35.00 mm
Width	21.00 mm
Depth/length	38.00 mm

Technical Datasheet

Screws and nuts

HK 510/30 E5

the photorealistic images are to be considered as reference images

Packing Dimension

100 pieces = 1 carton		✓ VP1-smallest packaging unit (PU)		✓ VP1-preferred PU	
Lenght	280 mm	Width	120.00 mm	Height	95.00 mm
Gross weight	6,01 kg	Volume	0,003 m ³		
Min. quantity	100.00 pcs.	Max. Quantity	100.00 pcs.		
15000 pieces = 1 pallet					
Lenght	1200 mm	Width	800 mm	Height	1000 mm
Gross weight	938 kg	Volume	0,960 m ³		
Min. Quantity	15.000.00 pcs.	Max. Quantity	15.000.00 pcs.		

Tender Text

<p>Hook head bolt with hexagon nut and washer, can be used at any point in the profile.</p> <p>Used for : C-profile 2986/... E3/E5 with 18 mm slot width</p> <p>Dimensions (approx. dimensions)</p> <p>Head length : 35 mm</p> <p>Head width : 14 mm</p> <p>Head height : 10.5 mm</p> <p>Thread : M 10</p> <p>Length L : 30 mm</p> <p>Strength class : 1.4571</p> <p>Material : stainless steel, material no. 1.4571, AISI 316Ti</p> <p>NIEDAX Model-No. : HK 510/30 E5</p> <p>EP Material_____ EP Wage_____</p> <p>Unit price/piece</p>
--

Safety & Environment

REACH Date	25.06.2025
REACH Info	Conformable
RoHS Info	Conformable

Origin & International Trade

Country of origin	CN
Customs tariff number	73181595