

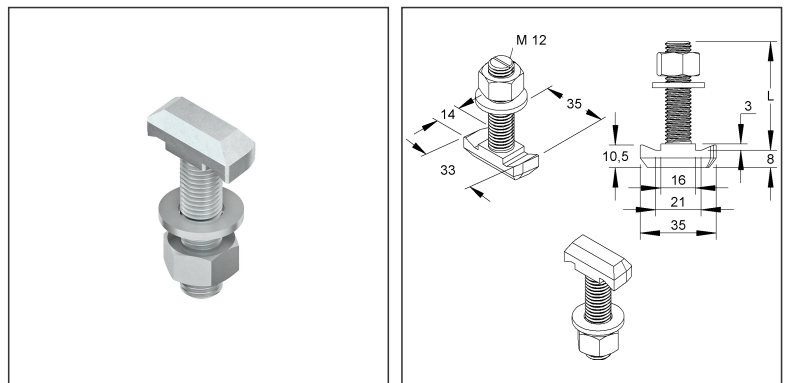
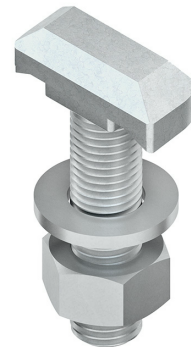
Hook Head Bolt M12

incl. nut and washer

HK 512/20

EAN Code: 4013339124107
Smallest packaging unit: 100 pcs.

the photorealistic images are to be considered as reference images



Article Description

Hook head bolt M12, length 20 mm, steel, galvanised according to DIN EN ISO 2081/4042, blue passivated

Additional Price Information

Article group	N09
quantity unit	pcs.

Weight

Weight per quantity unit	70 g / pcs.
Weight in kg per 100	7 kg / 100pcs.

Physical Article Dimensions

Height	34.00 mm
Width	24.00 mm
Depth/length	28.00 mm

Technical Datasheet

Screws and nuts

HK 512/20

the photorealistic images are to be considered as reference images

Packing Dimension

100 pieces = 1 carton		✓ VP1-smallest packaging unit (PU)	✓ VP1-preferred PU		
Lenght	160.00 mm	Width	113.00 mm	Height	87.00 mm
Gross weight	5,16 kg	Volume	0,002 m ³		
Min. quantity	100.00 pcs.	Max. Quantity	100.00 pcs.		
400 pieces = 1 covering box					
Lenght	300 mm	Width	300 mm	Height	120.00 mm
Gross weight	21 kg	Volume	0,011 m ³		
Min. Quantity	400.00 pcs.	Max. Quantity	400.00 pcs.		

Tender Text

<p>Hook head bolt with hexagon nut and washer, can be used at any point in the profile.</p> <p>Suitable for : C-profiles 2985, 2986, 2988, 2990 with 18 mm slot width</p> <p>Dimensions (approx. dimensions)</p> <p>Head length : 35 mm</p> <p>Head width : 14 mm</p> <p>Head height : 10.5 mm</p> <p>Thread : M 12</p> <p>Length L : 20 mm</p> <p>Strength class : 4.6</p> <p>Material : Steel, galvanised acc. to DIN EN ISO 4042, blue passivated</p> <p>NIEDAX Model-No. : HK 512/20</p> <p>EP Material_____ EP Wage_____</p> <p>Unit price/piece</p>

Safety & Environment

REACH Date	25.06.2025
REACH Info	Conformable
RoHS Info	Conformable

Origin & International Trade

Country of origin	TW
Customs tariff number	73181595