

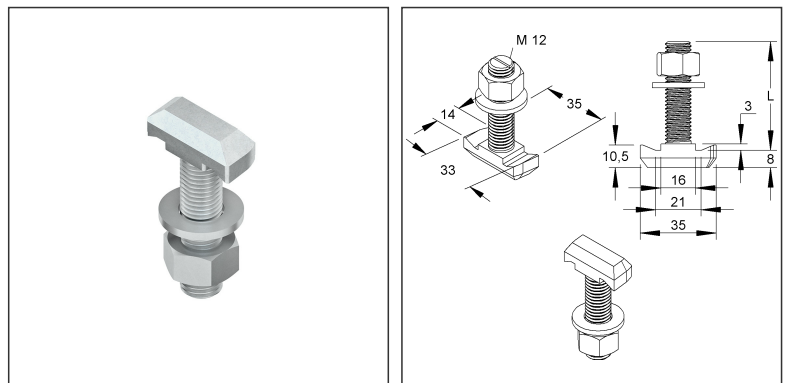
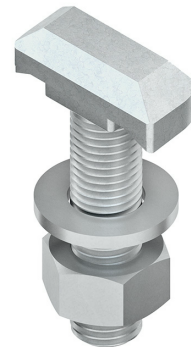
Hook Head Bolt M12

incl. nut and washer

HK 512/30 F

EAN Code: 4013339124251
Smallest packaging unit: 100 pcs.

the photorealistic images are to be considered as reference images



Article Description

Hook head bolt M12, length 30 mm, steel, hot dip galvanised DIN EN ISO 1461/10684

Additional Price Information

Article group	N09
quantity unit	pcs.

Weight

Weight per quantity unit	80 g / pcs.
Weight in kg per 100	8 kg / 100pcs.

Physical Article Dimensions

Height	34.00 mm
Width	24.00 mm
Depth/length	38.00 mm

Technical Datasheet

Screws and nuts

HK 512/30 F

the photorealistic images are to be considered as reference images

Packing Dimension

100 pieces = 1		✓ VP1-smallest packaging unit (PU)	✓ VP1-preferred PU		
Lenght	260 mm	Width	167.00 mm	Height	88.00 mm
Gross weight	5,1 kg	Volume	0,004 m ³		
Min. quantity	100.00 pcs.	Max. Quantity	100.00 pcs.		

Tender Text

Hook head bolt with hexagon nut and washer, can be used at any point in the profile.

Suitable for : C-profiles 2985, 2986, 2988, 2990 with 18 mm slot width

Dimensions (approx. dimensions)

Head length : 34 mm

Head width : 14 mm

Head height : 10.5 mm

Thread : M 12

Length L : 30 mm

Strength class : 4.6

Material : Steel, hot-dip galvanised acc. to DIN EN ISO 10684

NIEDAX Model-No. : HK 512/30 F

EP Material _____ EP Wage _____

Unit price/piece

Safety & Environment

REACH Date	25.06.2025
REACH Info	Conformable
RoHS Info	Conformable

Origin & International Trade

Country of origin	TW
Customs tariff number	73181595