

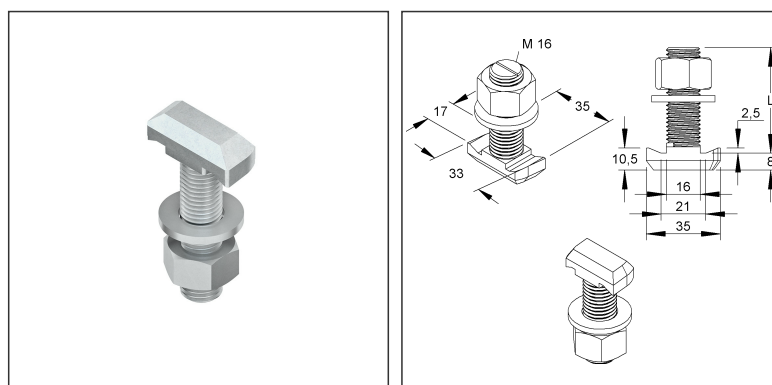
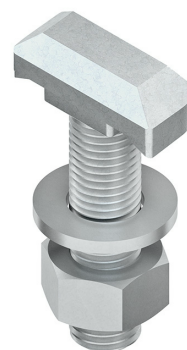
## Hook Head Bolt M16

incl. nut and washer

HK 516/50

EAN Code: 4013339124503  
Smallest packaging unit: 50 pcs.

the photorealistic images are to be considered as reference images



### Article Description

Hook head bolt M16, length 50 mm, steel, galvanised according to DIN EN ISO 2081/4042, blue passivated

### Additional Price Information

Article group	N09
quantity unit	pcs.

### Weight

Weight per quantity unit	160 g / pcs.
Weight in kg per 100	16 kg / 100pcs.

### Physical Article Dimensions

Height	32.70 mm
Width	30.00 mm
Depth/length	58.00 mm

# Technical Datasheet

## Screws and nuts

HK 516/50

the photorealistic images are to be considered as reference images

### Packing Dimension

<b>50 pieces = 1</b>		✓ VP1-smallest packaging unit ( PU)	✓ VP1-preferred PU		
Lenght	260 mm	Width	167.00 mm	Height	88.00 mm
Gross weight	5,1 kg	Volume	0,004 m <sup>3</sup>		
Min. quantity	50.00 pcs.	Max. Quantity	50.00 pcs.		

### Tender Text

Hook head bolt with hexagon nut and washer, can be used at any point in the profile.

Suitable for : C-profiles 2985, 2986, 2988, 2990 with 18 mm slot width

Dimensions (approx. dimensions)

Head length : 35 mm

Head width : 17 mm

Head height : 10.5 mm

Thread : M 16

Length L : 50 mm

Strength class : 4.6

Material : Steel, galvanised acc. to DIN EN ISO 4042, blue passivated

NIEDAX Model-No. : HK 516/50

EP Material \_\_\_\_\_ EP Wage \_\_\_\_\_

Unit price/piece

### Safety & Environment

REACH Date	25.06.2025
REACH Info	Conformable
RoHS Info	Conformable

### Origin & International Trade

Country of origin	TW
Customs tariff number	73181595