

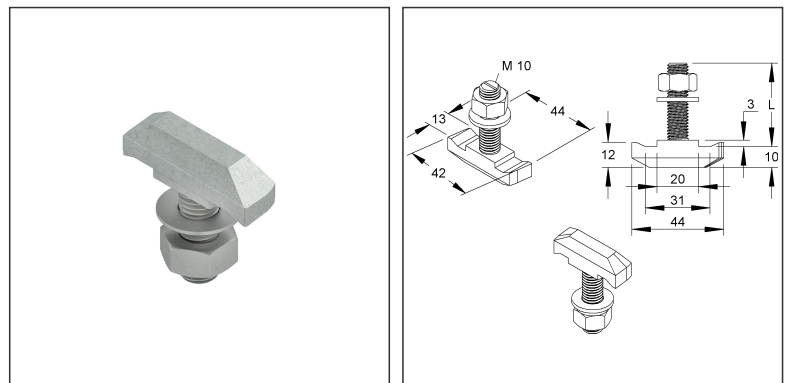
Hook Head Bolt M10

incl. nut and washer

HK 610/40

EAN Code: 4013339124701
Smallest packaging unit: 100 pcs.

the photorealistic images are to be considered as reference images



Article Description

Hook head bolt M10, length 40 mm, steel, galvanised according to DIN EN ISO 2081/4042, blue passivated

Additional Price Information

Article group	N09
quantity unit	pcs.

Weight

Weight per quantity unit	66 g / pcs.
Weight in kg per 100	6,55 kg / 100pcs.

Physical Article Dimensions

Height	44.00 mm
Width	21.00 mm
Depth/length	50.00 mm

Technical Datasheet

Screws and nuts

HK 610/40

the photorealistic images are to be considered as reference images

Packing Dimension

100 pieces = 1		✓ VP1-smallest packaging unit (PU)		✓ VP1-preferred PU	
Lenght	260 mm	Width	167.00 mm	Height	88.00 mm
Gross weight	6 kg	Volume	0,004 m ³		
Min. quantity	100.00 pcs.	Max. Quantity	100.00 pcs.		
7500 pieces = 1 pallet					
Lenght	1200 mm	Width	800 mm	Height	1000 mm
Gross weight	465 kg	Volume	0,960 m ³		
Min. Quantity	7.500.00 pcs.	Max. Quantity	7.500.00 pcs.		

Tender Text

<p>Hook head bolt with hexagon nut and washer, can be used at any point in the profile.</p> <p>Suitable for : C-profile 2987 with 26 mm slot width and C- profiles 2991, 2992, 2994, 2995 with 22 mm slot width</p> <p>Dimensions (approx. dimensions)</p> <p>Head length : 44 mm</p> <p>Head width : 13 mm</p> <p>Head height : 12 mm</p> <p>Thread : M 10</p> <p>Length L : 40 mm</p> <p>Strength class : 4.6</p> <p>Material : Steel, galvanised acc. to DIN EN ISO 4042, blue passivated</p> <p>NIEDAX Model-No. : HK 610/40</p> <p>EP Material_____ EP Wage_____</p> <p>Unit price/piece</p>

Safety & Environment

REACH Date	25.06.2025
REACH Info	Conformable
RoHS Info	Conformable

Origin & International Trade

Country of origin	TW
Customs tariff number	73181595