

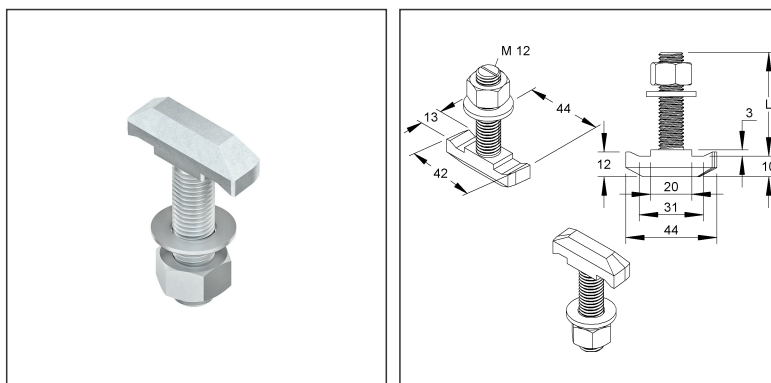
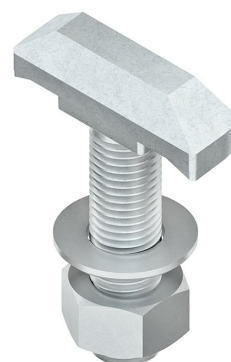
## Hook Head Bolt M12

incl. nut and washer

HK 612/30

EAN Code: 4013339124909  
Smallest packaging unit: 100 pcs.

the photorealistic images are to be considered as reference images



### Article Description

Hook head bolt M12, length 30 mm, steel, galvanised according to DIN EN ISO 2081/4042, blue passivated

### Additional Price Information

|               |      |
|---------------|------|
| Article group | N09  |
| quantity unit | pcs. |

### Weight

|                          |                |
|--------------------------|----------------|
| Weight per quantity unit | 80 g / pcs.    |
| Weight in kg per 100     | 8 kg / 100pcs. |

### Physical Article Dimensions

|              |          |
|--------------|----------|
| Height       | 44.40 mm |
| Width        | 24.00 mm |
| Depth/length | 40.00 mm |

# Technical Datasheet

## Screws and nuts

HK 612/30

the photorealistic images are to be considered as reference images

### Packing Dimension

|                       |             |                                     |                      |                    |          |
|-----------------------|-------------|-------------------------------------|----------------------|--------------------|----------|
| <b>100 pieces = 1</b> |             | ✓ VP1-smallest packaging unit ( PU) |                      | ✓ VP1-preferred PU |          |
| Lenght                | 260 mm      | Width                               | 167.00 mm            | Height             | 88.00 mm |
| Gross weight          | 5,4 kg      | Volume                              | 0,004 m <sup>3</sup> |                    |          |
| Min. quantity         | 100.00 pcs. | Max. Quantity                       | 100.00 pcs.          |                    |          |

### Tender Text

Hook head bolt with hexagon nut and washer, can be used at any point in the profile.

Suitable for : C-profile 2987 with 26 mm slot width us  
C-profiles 2991, 2992, 2994, 2995 with 22 mm slot width

Dimensions (approx. dimensions)

Head length : 44 mm

Head width : 13 mm

Head height : 12 mm

Thread : M 12

Length L : 30 mm

Strength class : 4.6

Material : steel, galvanised acc. to DIN EN ISO 4042, blue passivated

NIEDAX Model-No. : HK 612/30

EP Material\_\_\_\_\_ EP Wage\_\_\_\_\_

Unit price/piece

### Safety & Environment

|            |             |
|------------|-------------|
| REACH Date | 25.06.2025  |
| REACH Info | Conformable |
| RoHS Info  | Conformable |

### Origin & International Trade

|                       |          |
|-----------------------|----------|
| Country of origin     | TW       |
| Customs tariff number | 73181595 |