

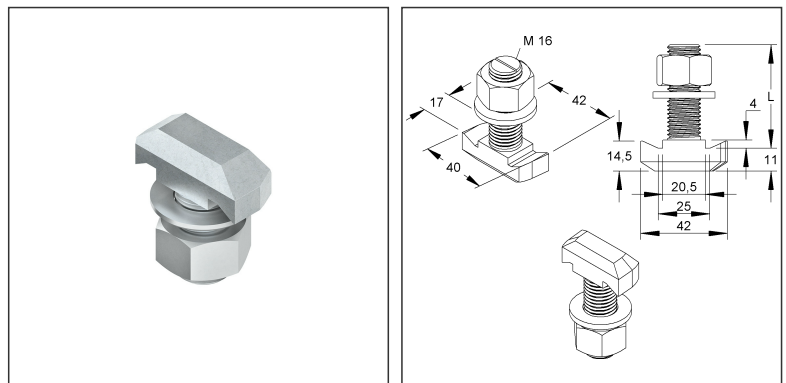
Hook Head Bolt M16

incl. nut and washer

HK 616/30

EAN Code: 4013339125104
Smallest packaging unit: 50 pcs.

the photorealistic images are to be considered as reference images



Article Description

Hook head bolt M16, length 30 mm, steel, galvanised according to DIN EN ISO 2081/4042, blue passivated

Additional Price Information

Article group	N09
quantity unit	pcs.

Weight

Weight per quantity unit	150 g / pcs.
Weight in kg per 100	15 kg / 100pcs.

Physical Article Dimensions

Height	42.00 mm
Width	30.00 mm
Depth/length	44.50 mm

Technical Datasheet

Screws and nuts

HK 616/30

the photorealistic images are to be considered as reference images

Packing Dimension

50 pieces = 1		✓ VP1-smallest packaging unit (PU)		✓ VP1-preferred PU	
Lenght	260 mm	Width	167.00 mm	Height	88.00 mm
Gross weight	4,3 kg	Volume	0,004 m ³		
Min. quantity	50.00 pcs.	Max. Quantity	50.00 pcs.		

Tender Text

Hook head bolt with hexagon nut and washer, can be used at any point in the profile.

Suitable for : C-profile 2987 with 26 mm slot width
and C-profiles 2991, 2992, 2994, 2995 with 22 mm slot width

Dimensions (approx. dimensions)

Head length : 42 mm

Head width : 17 mm

Head height : 14.5 mm

Thread : M 16

Length L : 30 mm

Strength class : 4.6

Material : Steel, galvanised acc. to DIN EN ISO 4042, blue passivated

NIEDAX Model-No. : HK 616/30

EP Material_____ EP Wage_____

Unit price/piece

Safety & Environment

REACH Date	25.06.2025
REACH Info	Conformable
RoHS Info	Conformable

Origin & International Trade

Country of origin	CN
Customs tariff number	73181595