

Wide Span Cable Tray

perforated, with continuous perforated and beaded side profiles

WRL 105.200

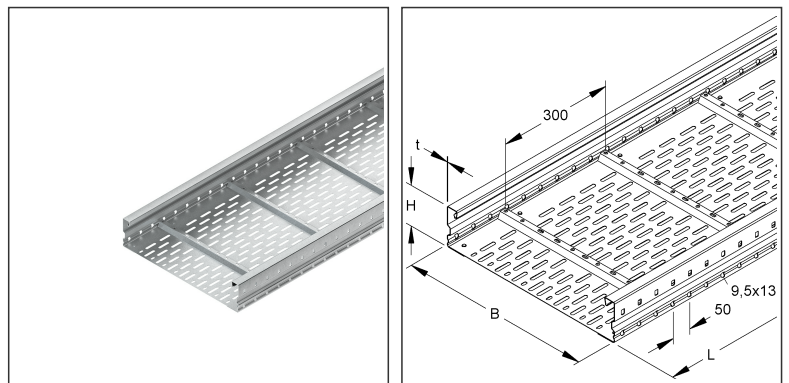
EAN Code: 4013339310708

Smallest packaging unit: 6 m

quantity unit: m M



the photorealistic images are to be considered as reference images



Article Description

Wide span cable tray, 105x200x6000 mm, t=1,5 mm, perforated, steel, pre-galvanised according to DIN EN 10346

Additional Price Information

Article group	N13
quantity unit	m

Weight

Weight per quantity unit	6,237 kg / m
Weight in kg per 100	624 kg / 100m

Technical Datasheet

Long Span Cable Tray

WRL 105.200

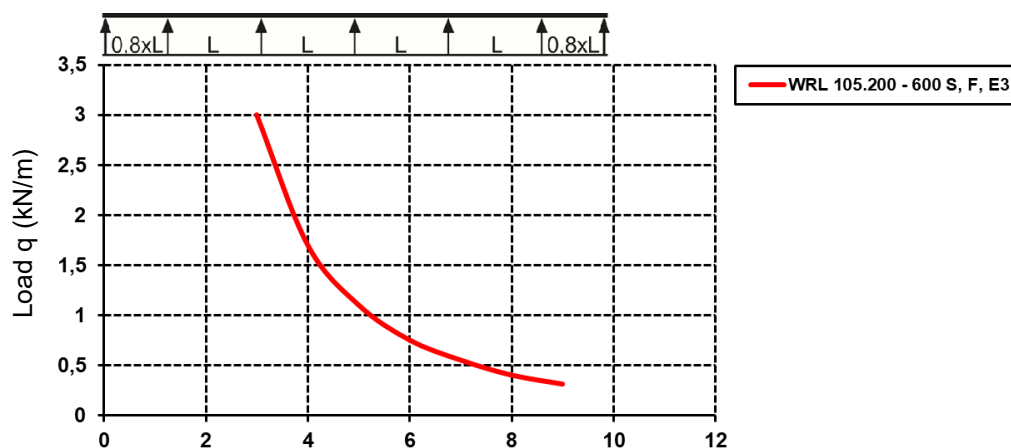
the photorealistic images are to be considered as reference images

Physical Article Dimensions

Height	105.00 mm
Width	200.00 mm
Depth/length	6000 mm

Load Specifications

Load diagram: q = evenly distributed cable load (tested acc. to DIN EN IEC 61537)



Fixing distance (m)

The load details shown in the diagram are independent of the position of the connectors.

Packing Dimension

6 meters = 1 piece		✓ VP1-smallest packaging unit (PU)	✓ VP1-preferred PU		
Lenght	6000 mm	Width	200.00 mm	Height	105.00 mm
Gross weight	37 kg	Volume	0,126 m ³		
Min. quantity	6.00 m	Max. Quantity	6.00 m		

84 meters = 1 bundle					
Lenght	6000 mm	Width	230 mm	Height	860 mm
Gross weight	523 kg	Volume	1,187 m ³		
Min. Quantity	84.00 m	Max. Quantity	84.00 m		

168 meters = 1 bundle					
Lenght	6000 mm	Width	460 mm	Height	860 mm
Gross weight	1046 kg	Volume	2,374 m ³		
Max. Quantity	168.00 m	Min. Quantity	168.00 m		

Tender Text

Wide span cable tray, acc. to DIN EN 61537, with continuous perforated and beaded side rails, as well as riveted bottom with offset perforation and perforated cross beads for stabilisation and barrier strip fastening.

Please order splice plate WSV 105.390 separately.

Dimensions (approx. dimensions)

Height H x width W : 105 x 200 mm

Material thickness : 1.5 mm

Technical Datasheet

Long Span Cable Tray

WRL 105.200

the photorealistic images are to be considered as reference images

Tender Text

Cross section distance : 300 mm
Side rail perforation : 9.5 x 13 mm
Hole distance : 50 mm
Delivery length : 6000 mm
Usable cross-section : 15955 mm²
Material : steel, pre-galvanised acc. to DIN EN 10346
NIEDAX Model No. : WRL 105.200
EP Material _____ EP wage _____
Unit price/meter

Safety & Environment

REACH Date	25.06.2025
REACH Info	Conformable
RoHS Info	Conformable

Origin & International Trade

Country of origin	DE
Customs tariff number	73089059

Related items

Cover

Model No.	Description
WDRS 20	Turning bolt with locknut acc. to DIN EN ISO 10511, for WSL/WRL, steel, pre-galvanised according to DIN EN 10346, incl. accessories
WDV 200	Cover for WSL/WRL, w. joint strip, 204x3000 mm, with turning lock, steel, pre-galvanised according to DIN EN 10346

Barrier strip

Model No.	Description
KLWC 16	Barrier strip fastening clamp, for 16 mm slot width, steel, pre-galvanised according to DIN EN 10346, incl. accessories
RW 85	Barrier strip, 80x3000 mm, t=0,9 mm, steel, pre-galvanised according to DIN EN 10346, incl. accessories

Connector

Model No.	Description
WSV 105.390	Splice plate, 106,5x390 mm, steel, pre-galvanised according to DIN EN 10346, incl. accessories

Accessories

Model No.	Description
WHAS 105 S	Wide span beam connection piece, height 105 mm, steel, pre-galvanised acc. to DIN EN 10346, incl. accessories