

## Wide Span Cable Tray

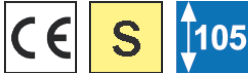
perforated, with continuous perforated and beaded side profiles

**WRL 105.400**

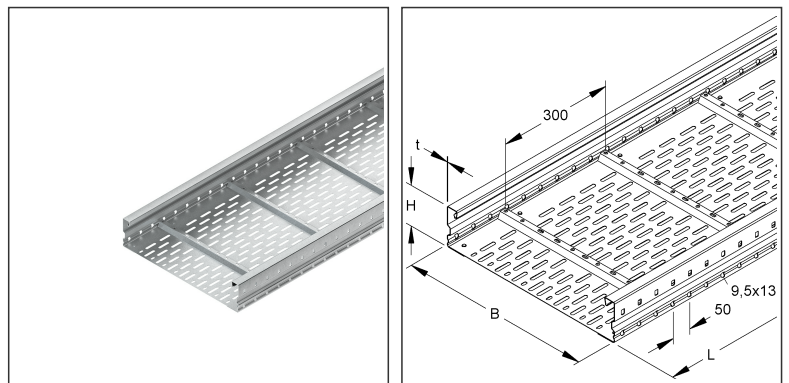
EAN Code: 4013339310906

Smallest packaging unit: 6 m

quantity unit: m M



the photorealistic images are to be considered as reference images



### Article Description

Wide span cable tray, 105x400x6000 mm, t=1,5 mm, perforated, steel, pre-galvanised according to DIN EN 10346, incl. accessories

# Technical Datasheet

## Long Span Cable Tray

WRL 105.400

the photorealistic images are to be considered as reference images

### Incl. accessories

<b>6 meter = 1 piece</b>		✓ lowest delivery unit	✓ preferred delivery unit
Model No.	Description	quantity	
FLM 6X12	Mushroom-head bolt M6, similar DIN 603, length 12 mm, steel, electro galvanised according to DIN EN ISO 2081/4042, blue pass	4 pcs.	
RSL 400	Joint bar for wide span cable tray, B=389 mm, for bottom stabilisation, steel, pre-galvanised according to DIN EN 10346, incl. accessories	1 pcs.	
<b>84 meter = 1 bundle</b>		- lowest delivery unit	- preferred delivery unit
Model No.	Description	quantity	
FLM 6X12	Mushroom-head bolt M6, similar DIN 603, length 12 mm, steel, electro galvanised according to DIN EN ISO 2081/4042, blue pass	56 pcs.	
RSL 400	Joint bar for wide span cable tray, B=389 mm, for bottom stabilisation, steel, pre-galvanised according to DIN EN 10346, incl. accessories	14 pcs.	

### Additional Price Information

Article group	N13
quantity unit	m

### Weight

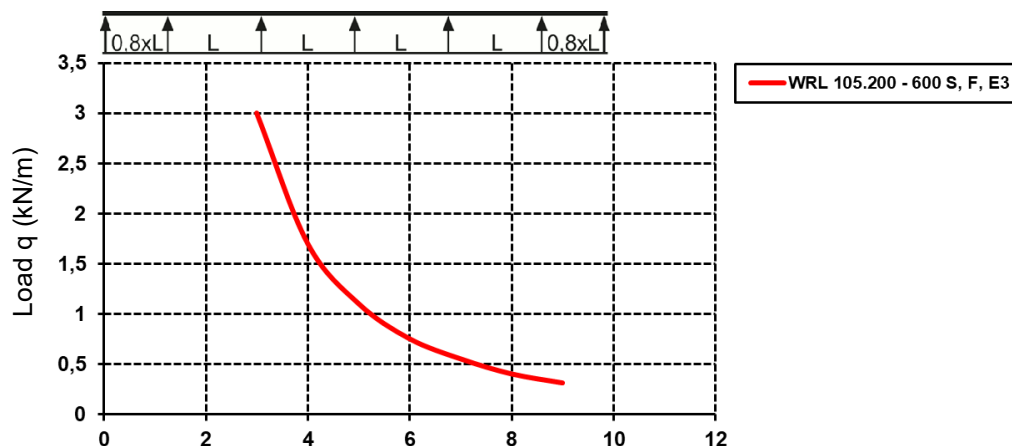
Weight per quantity unit	7,500 kg / m
Weight in kg per 100	750 kg / 100m

### Physical Article Dimensions

Height	105.00 mm
Width	400 mm
Depth/length	6000 mm

### Load Specifications

Load diagram:  $q$  = evenly distributed cable load (tested acc. to DIN EN IEC 61537)



Fixing distance (m)

The load details shown in the diagram are independent of the position of the connectors.

# Technical Datasheet

## Long Span Cable Tray

WRL 105.400

the photorealistic images are to be considered as reference images

### Packing Dimension

<b>6 meters = 1 piece</b>		✓ VP1-smallest packaging unit ( PU)		✓ VP1-preferred PU	
Lenght	6000 mm	Width	400 mm	Height	105.00 mm
Gross weight	45 kg	Volume	0,252 m <sup>3</sup>		
Min. quantity	6.00 m	Max. Quantity	6.00 m		
<b>84 meters = 1 bundle</b>					
Lenght	6000 mm	Width	430 mm	Height	860 mm
Gross weight	629 kg	Volume	2,219 m <sup>3</sup>		
Min. Quantity	84.00 m	Max. Quantity	84.00 m		

### Tender Text

<p>Wide span cable tray, acc. to DIN EN 61537, with continuous perforated and beaded side rails, as well as riveted bottom with offset perforation and perforated cross beads for stabilisation and barrier strip fastening.</p> <p>Please order splice plate WSV 105.390 separately.</p> <p>Dimensions (approx. dimensions)</p> <p>Height H x width W : 105 x 400 mm</p> <p>Material thickness : 1.5 mm</p> <p>Cross section distance : 300 mm</p> <p>Side rail perforation : 9.5 x 13 mm</p> <p>Hole distance : 50 mm</p> <p>Delivery length : 6000 mm</p> <p>Usable cross-section : 33475 mm<sup>2</sup></p> <p>Material : steel, pre-galvanised acc. to DIN EN 10346</p> <p>NIEDAX Model No. : WRL 105.400</p> <p>EP Material _____ EP wage _____</p> <p>Unit price/meter</p>
---

### Safety & Environment

REACH Date	25.06.2025
REACH Info	Conformable
RoHS Info	Conformable

### Origin & International Trade

Country of origin	DE
Customs tariff number	73089059

### Related items

#### Cover

Model No.	Description
WDRS 20	Turning bolt with locknut acc. to DIN EN ISO 10511, for WSL/WRL, steel, pre-galvanised according to DIN EN 10346, incl. accessories
WDV 400	Cover for WSL/WRL, w. joint strip, 404x3000 mm, with turning lock, steel, pre-galvanised according to DIN EN 10346

# Technical Datasheet

## Long Span Cable Tray

WRL 105.400

the photorealistic images are to be considered as reference images

### Related items

#### Barrier strip

Model No.	Description
KLWC 16	Barrier strip fastening clamp, for 16 mm slot width, steel, pre-galvanised according to DIN EN 10346, incl. accessories
RW 85	Barrier strip, 80x3000 mm, t=0,9 mm, steel, pre-galvanised according to DIN EN 10346, incl. accessories

#### Connector

Model No.	Description
WSV 105.390	Splice plate, 106,5x390 mm, steel, pre-galvanised according to DIN EN 10346, incl. accessories

#### Accessories

Model No.	Description
WHAS 105 S	Wide span beam connection piece, height 105 mm, steel, pre-galvanised acc. to DIN EN 10346, incl. accessories