

Wide Span Cable Tray

perforated, with continuous perforated and beaded side profiles

WRL 150.200 F

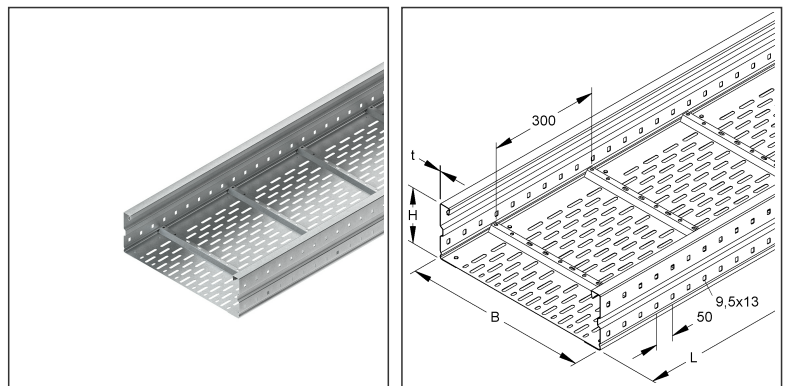
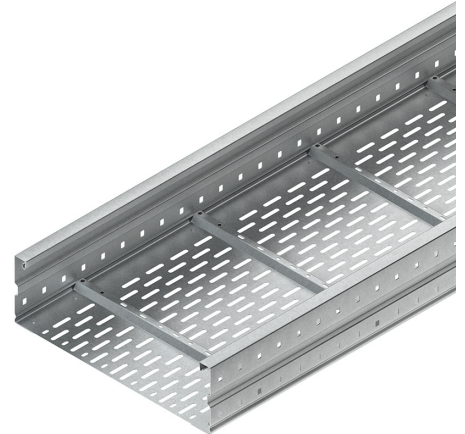
EAN Code: 4013339590506

Smallest packaging unit: 6 m

quantity unit: m M



the photorealistic images are to be considered as reference images



Article Description

Wide span cable tray, 150x200x6000 mm, t=1,5 mm, perforated, steel, hot dip galvanised DIN EN ISO 1461

Additional Price Information

Article group	N13
quantity unit	m

Weight

Weight per quantity unit	8,039 kg / m
Weight in kg per 100	804 kg / 100m

Physical Article Dimensions

Height	150.00 mm
Width	200.00 mm
Depth/length	6000 mm

Technical Datasheet

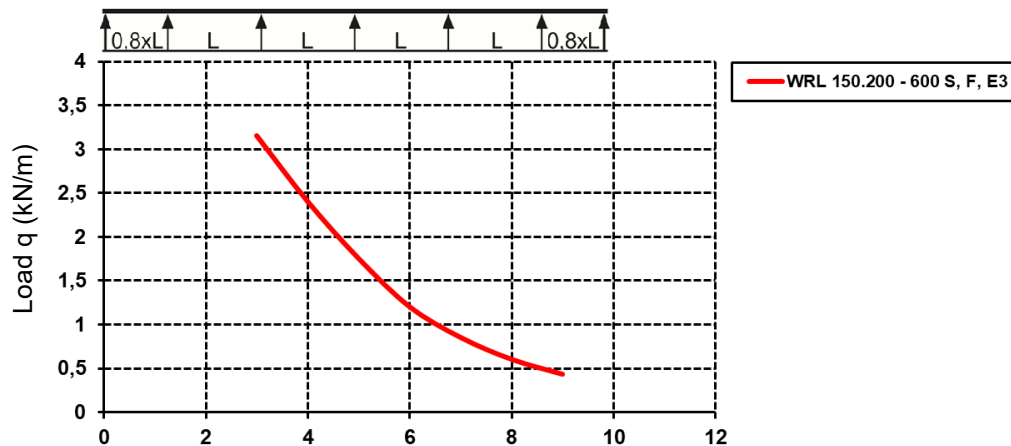
Long Span Cable Tray

WRL 150.200 F

the photorealistic images are to be considered as reference images

Load Specifications

Load diagram: q = evenly distributed cable load (tested acc. to DIN EN IEC 61537)



Fixing distance (m)

The load details shown in the diagram are independent of the position of the connectors.

Packing Dimension

6 meters = 1 piece

✓ VP1-smallest packaging unit (PU) ✓ VP1-preferred PU

Lenght	6000 mm	Width	200.00 mm	Height	150.00 mm
Gross weight	48 kg	Volume	0,180 m ³		
Min. quantity	6.00 m	Max. Quantity	6.00 m		

60 meters = 1 bundle

Lenght	6000 mm	Width	230 mm	Height	860 mm
Gross weight	482 kg	Volume	1,187 m ³		
Min. Quantity	60.00 m	Max. Quantity	60.00 m		

120 meters = 1 bundle

Lenght	6000 mm	Width	460 mm	Height	860 mm
Gross weight	965 kg	Volume	2,374 m ³		
Max. Quantity	120.00 m	Min. Quantity	120.00 m		

Tender Text

Wide span cable tray, acc. to DIN EN 61537, with continuous perforated and beaded side rails, as well as riveted bottom with offset perforation and perforated cross beads for stabilisation and barrier strip fastening.

Please order splice plate WSV 150.500 separately.

Dimensions (approx. dimensions)

Height H x width W : 150 x 200 mm

Material thickness : 1.5 mm

Cross section distance : 300 mm

Side rail perforation : 9.5 x 13 mm

Hole distance : 50 mm

Delivery length : 6000 mm

Usable cross-section : 24955 mm²

Material : steel, hot-dip galvanised acc. to DIN EN ISO 1461

Technical Datasheet

Long Span Cable Tray

WRL 150.200 F

the photorealistic images are to be considered as reference images

Tender Text

NIEDAX Model No. : WRL 150.200 F
EP material_____ EP wage_____
Unit price/meter

Safety & Environment

REACH Date	25.06.2025
REACH Info	Conformable
RoHS Info	Conformable

Origin & International Trade

Country of origin	DE
Customs tariff number	73089059

Related items

Cover

Model No.	Description
WDRS 20 F	Turning bolt with locknut acc. to DIN EN ISO 10511, for WSL/WRL, steel, hot dip galvanised DIN EN ISO 1461, incl. accessories
WDV 200 F	Cover for WSL/WRL, w. joint strip, 204x3000 mm, with turning lock, steel, hot dip galvanised DIN EN ISO 1461

Barrier strip

Model No.	Description
KLWC 16 F	Barrier strip fastening clamp, for 16 mm slot width, steel, hot dip galvanised DIN EN ISO 1461, incl. accessories
RW 110 F	Barrier strip, 98x3000 mm, t=0,9 mm, steel, hot dip galvanised DIN EN ISO 1461, incl. accessories

Connector

Model No.	Description
WSV 150.500 F	Splice plate, 151,5x500 mm, steel, hot dip galvanised DIN EN ISO 1461, incl. accessories