

### Wide Span Cable Tray

perforated, with continuous perforated and beaded side profiles

### WRL 150.300 F

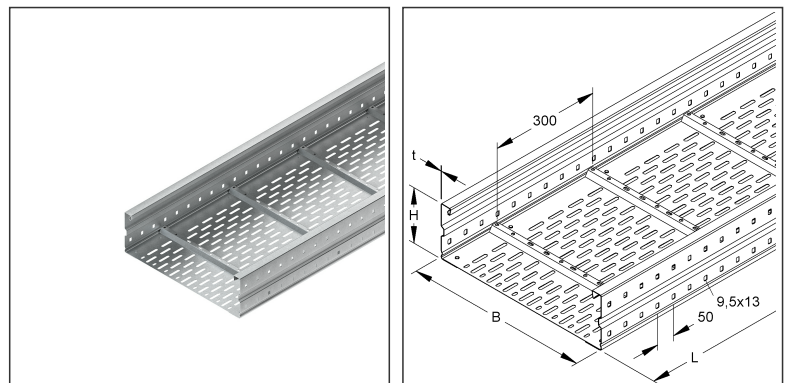
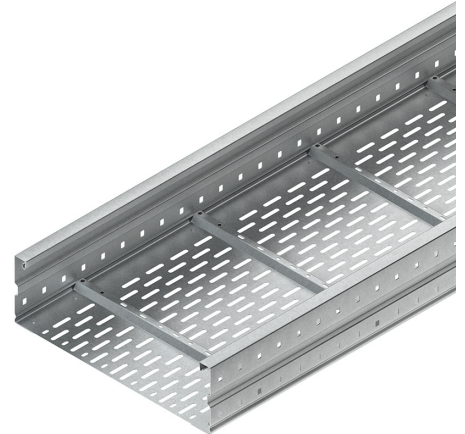
EAN Code: 4013339590605

Smallest packaging unit: 1 m

quantity unit: m M



the photorealistic images are to be considered as reference images



#### Article Description

Wide span cable tray, 150x300x6000 mm, t=1,5 mm, perforated, steel, hot dip galvanised DIN EN ISO 1461

#### Additional Price Information

|               |     |
|---------------|-----|
| Article group | N13 |
| quantity unit | m   |

#### Weight

|                          |              |
|--------------------------|--------------|
| Weight per quantity unit | 8,704 kg/ m  |
| Weight in kg per 100     | 870 kg/ 100m |

#### Physical Article Dimensions

|              |           |
|--------------|-----------|
| Height       | 150.00 mm |
| Width        | 300 mm    |
| Depth/length | 6000 mm   |

# Technical Datasheet

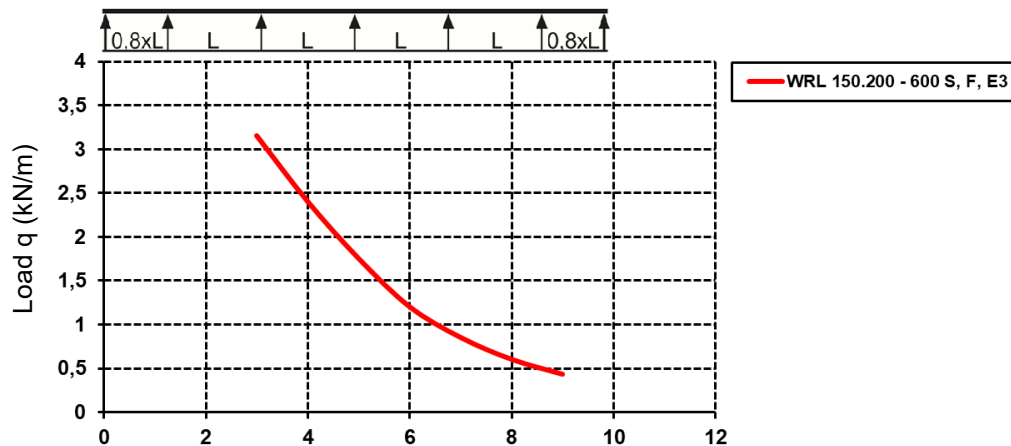
## Long Span Cable Tray

WRL 150.300 F

the photorealistic images are to be considered as reference images

### Load Specifications

Load diagram:  $q$  = evenly distributed cable load (tested acc. to DIN EN IEC 61537)



Fixing distance (m)

The load details shown in the diagram are independent of the position of the connectors.

### Packing Dimension

**6 meters = 1 piece**

✓ VP1-smallest packaging unit ( PU) ✓ VP1-preferred PU

|               |         |               |                      |        |           |
|---------------|---------|---------------|----------------------|--------|-----------|
| Lenght        | 6000 mm | Width         | 300 mm               | Height | 150.00 mm |
| Gross weight  | 52 kg   | Volume        | 0,270 m <sup>3</sup> |        |           |
| Min. quantity | 6.00 m  | Max. Quantity | 6.00 m               |        |           |

**60 meters = 1 bundle**

|               |         |               |                      |        |        |
|---------------|---------|---------------|----------------------|--------|--------|
| Lenght        | 6000 mm | Width         | 320 mm               | Height | 750 mm |
| Gross weight  | 522 kg  | Volume        | 1,440 m <sup>3</sup> |        |        |
| Min. Quantity | 60.00 m | Max. Quantity | 60.00 m              |        |        |

### Tender Text

Wide span cable tray, acc. to DIN EN 61537, with continuous perforated and beaded side rails, as well as riveted bottom with offset perforation and perforated cross beads for stabilisation and barrier strip fastening. Please order splice plate WSV 150.500 separately.

Dimensions (approx. dimensions)

Height H x width W : 150 x 300 mm

Material thickness : 1.5 mm

Cross section distance : 300 mm

Side rail perforation : 9.5 x 13 mm

Hole distance : 50 mm

Delivery length : 6000 mm

Usable cross-section : 38215 mm<sup>2</sup>

Material : steel, hot-dup galvanised acc. to DIN EN ISO 1461

NIEDAX Model No. : WRL 150.300 F

EP material \_\_\_\_\_ EP wage \_\_\_\_\_

Unit price/meter

# Technical Datasheet

## Long Span Cable Tray

WRL 150.300 F

the photorealistic images are to be considered as reference images

### Safety & Environment

|            |             |
|------------|-------------|
| REACH Date | 25.06.2025  |
| REACH Info | Conformable |
| RoHS Info  | Conformable |

### Origin & International Trade

|                       |          |
|-----------------------|----------|
| Country of origin     | DE       |
| Customs tariff number | 73089059 |

### Related items

#### Cover

| Model No. | Description   |
|-----------|---|
| WDRS 20 F | Turning bolt with locknut acc. to DIN EN ISO 10511, for WSL/WRL, steel, hot dip galvanised DIN EN ISO 1461, incl. accessories |
| WDV 300 F | Cover for WSL/WRL, w. joint strip, 304x3000 mm, with turning lock, steel, hot dip galvanised DIN EN ISO 1461                  |

#### Barrier strip

| Model No. | Description   |
|-----------|---|
| KLWC 16 F | Barrier strip fastening clamp, for 16 mm slot width, steel, hot dip galvanised DIN EN ISO 1461, incl. accessories |
| RW 110 F  | Barrier strip, 98x3000 mm, t=0,9 mm, steel, hot dip galvanised DIN EN ISO 1461, incl. accessories                 |

#### Connector

| Model No.     | Description  |
|---------------|--|
| WSV 150.500 F | Splice plate, 151,5x500 mm, steel, hot dip galvanised DIN EN ISO 1461, incl. accessories |