

Wide Span Cable Tray

perforated, with continuous perforated and beaded side profiles

WRL 150.400 F

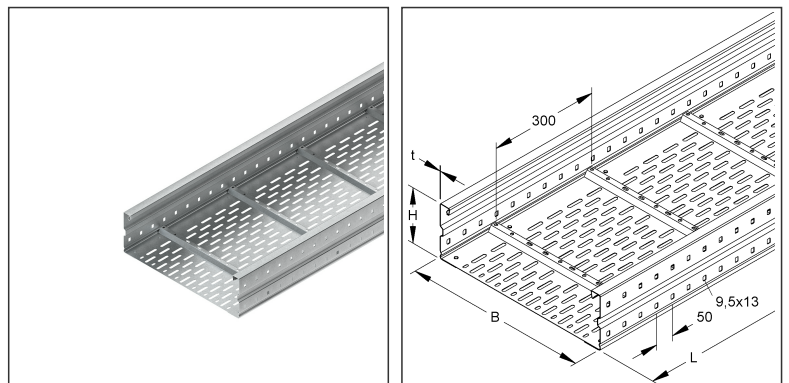
EAN Code: 4013339590704

Smallest packaging unit: 6 m

quantity unit: m M



the photorealistic images are to be considered as reference images



Article Description

Wide span cable tray, 150x400x6000 mm, t=1,5 mm, perforated, steel, hot dip galvanised DIN EN ISO 1461, incl. accessories

Technical Datasheet

Long Span Cable Tray

WRL 150.400 F

the photorealistic images are to be considered as reference images

Incl. accessories

6 meter = 1 piece		✓ lowest delivery unit	✓ preferred delivery unit
Model No.	Description	quantity	
FLM 6X12 F	Mushroom-head bolt M6, similar DIN 603, length 12 mm, steel, hot dip galvanised DIN EN ISO 1461	4 pcs.	
RSL 400 F	Joint bar for wide span cable tray, B=389 mm, for bottom stabilisation, steel, hot dip galvanised DIN EN ISO 1461, incl. accessories	1 pcs.	
60 meter = 1 bundle		- lowest delivery unit	- preferred delivery unit
Model No.	Description	quantity	
FLM 6X12 F	Mushroom-head bolt M6, similar DIN 603, length 12 mm, steel, hot dip galvanised DIN EN ISO 1461	40 pcs.	
RSL 400 F	Joint bar for wide span cable tray, B=389 mm, for bottom stabilisation, steel, hot dip galvanised DIN EN ISO 1461, incl. accessories	10 pcs.	

Additional Price Information

Article group	N13
quantity unit	m

Weight

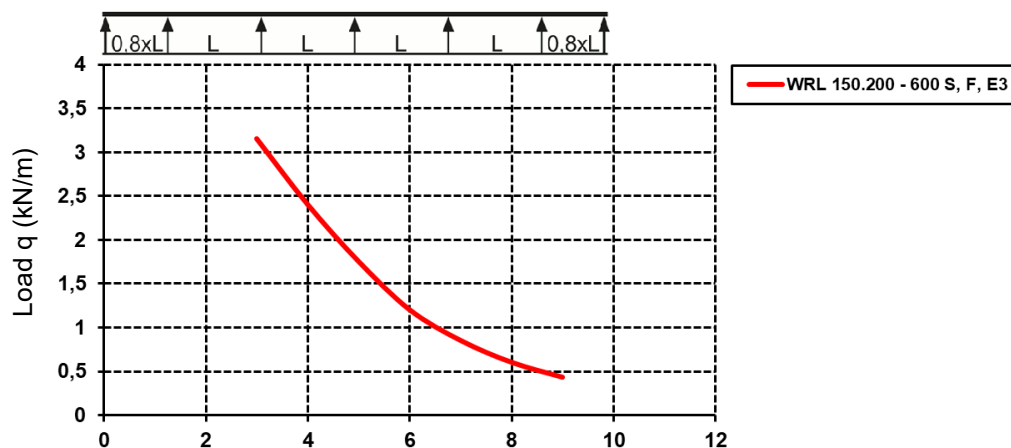
Weight per quantity unit	9,429 kg / m
Weight in kg per 100	943 kg / 100m

Physical Article Dimensions

Height	150.00 mm
Width	400 mm
Depth/length	6000 mm

Load Specifications

Load diagram: q = evenly distributed cable load (tested acc. to DIN EN IEC 61537)



Fixing distance (m)

The load details shown in the diagram are independent of the position of the connectors.

Technical Datasheet

Long Span Cable Tray

WRL 150.400 F

the photorealistic images are to be considered as reference images

Packing Dimension

6 meters = 1 piece		✓ VP1-smallest packaging unit (PU)		✓ VP1-preferred PU	
Lenght	6000 mm	Width	400 mm	Height	150.00 mm
Gross weight	57 kg	Volume	0,360 m ³		
Min. quantity	6.00 m	Max. Quantity	6.00 m		

60 meters = 1 bundle					
Lenght	6000 mm	Width	430 mm	Height	860 mm
Gross weight	566 kg	Volume	2,219 m ³		
Min. Quantity	60.00 m	Max. Quantity	60.00 m		

Tender Text

Wide span cable tray, acc. to DIN EN 61537, with continuous perforated and beaded side rails as well as riveted bottom with offset perforation and perforated cross beads for stabilisation and barrier strip fastening, including a joint bar RSL..., proportional fastening accessories in hot-dip galvanised.
Splice plate WSV 150.500 to be ordered separately.
Dimensions (approx. dimensions)
Height H x width W : 150 x 400 mm
Material thickness : 1.5 mm
Cross section distance : 300 mm
Side rail perforation : 9.5 x 13 mm
Hole distance : 50 mm
Delivery length : 6000 mm
Usable cross-section : 51475 mm²
Material : steel, hot-dip galvanised acc. to DIN EN ISO 1461
NIEDAX Model No. : WRL 150.400 F
EP material _____ EP wage _____
Unit price/meter

Safety & Environment

REACH Date	25.06.2025
REACH Info	Conformable
RoHS Info	Conformable

Origin & International Trade

Country of origin	DE
Customs tariff number	73089059

Technical Datasheet

Long Span Cable Tray

WRL 150.400 F

the photorealistic images are to be considered as reference images

Related items

Cover

Model No.	Description
WDRS 20 F	Turning bolt with locknut acc. to DIN EN ISO 10511, for WSL/WRL, steel, hot dip galvanised DIN EN ISO 1461, incl. accessories
WDV 400 F	Cover for WSL/WRL, w. joint strip, 404x3000 mm, with turning lock, steel, hot dip galvanised DIN EN ISO 1461

Barrier strip

Model No.	Description
KLWC 16 F	Barrier strip fastening clamp, for 16 mm slot width, steel, hot dip galvanised DIN EN ISO 1461, incl. accessories
RW 110 F	Barrier strip, 98x3000 mm, t=0,9 mm, steel, hot dip galvanised DIN EN ISO 1461, incl. accessories

Connector

Model No.	Description
WSV 150.500 F	Splice plate, 151,5x500 mm, steel, hot dip galvanised DIN EN ISO 1461, incl. accessories