

**Wide Span Cable Tray**

perforated, with continuous perforated and beaded side profiles

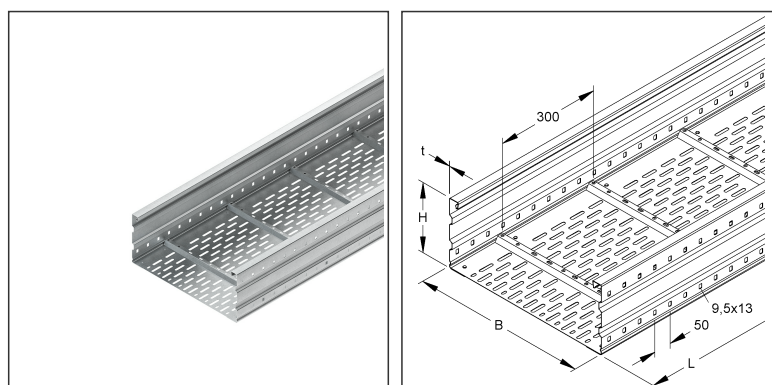
**WRL 200.300 F**

EAN Code: 4013339593309

Smallest packaging unit: 6 m

quantity unit: m M

the photorealistic images are to be considered as reference images



**Article Description**

Wide span cable tray, 200x300x6000 mm, t=1,5 mm, perforated, steel, hot dip galvanised DIN EN ISO 1461

**Additional Price Information**

Article group	N13
quantity unit	m

**Weight**

Weight per quantity unit	10 kg / m
Weight in kg per 100	1021 kg / 100m

**Physical Article Dimensions**

Height	200.00 mm
Width	300 mm
Depth/length	6000 mm

# Technical Datasheet

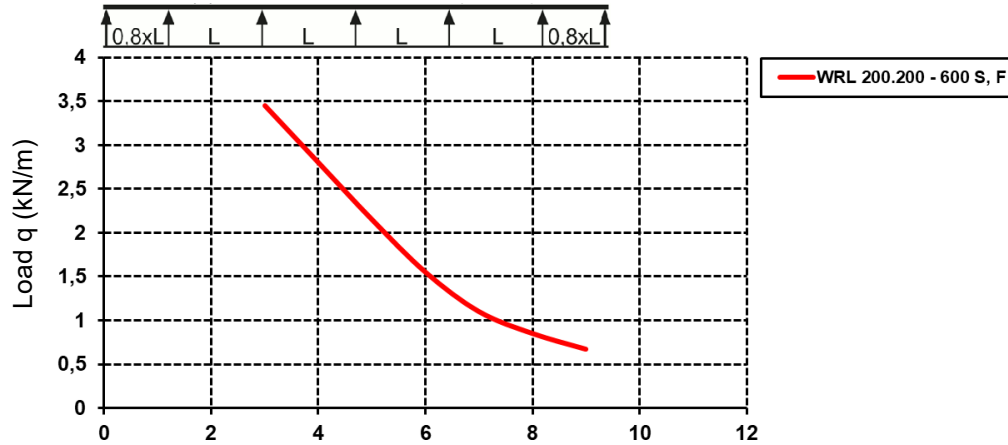
## Long Span Cable Tray

WRL 200.300 F

the photorealistic images are to be considered as reference images

### Load Specifications

Load diagram:  $q$  = evenly distributed cable load (tested acc. to DIN EN IEC 61537)



Fixing distance (m)

The load details shown in the diagram are independent of the position of the connectors.

### Packing Dimension

**6 meters = 1 piece**

✓ VP1-smallest packaging unit ( PU) ✓ VP1-preferred PU

Lenght	6000 mm	Width	300 mm	Height	200.00 mm
Gross weight	61 kg	Volume	0,360 m <sup>3</sup>		
Min. quantity	6.00 m	Max. Quantity	6.00 m		

**48 meters = 1 bundle**

Lenght	6000 mm	Width	330 mm	Height	860 mm
Gross weight	490 kg	Volume	1,703 m <sup>3</sup>		
Min. Quantity	48.00 m	Max. Quantity	48.00 m		

### Tender Text

Wide span cable tray, acc. to DIN EN 61537, with continuous perforated and corrugated side rails, as well as riveted bottom with offset perforation and perforated cross beads for stabilisation and barrier strip fastening. Please order splice plate WSV 200.500 separately.

Dimensions (approx. dimensions)

Height H x width W : 200 x 300 mm

Material thickness : 1.5 mm

Cross section distance : 300 mm

Side rail perforation : 9.5 x 13 mm

Hole distance : 50 mm

Delivery length : 6000 mm

Usable cross-section : 52850 mm<sup>2</sup>

Material : steel, hot-dip galvanised acc. to DIN EN ISO 1461

NIEDAX Model No. : WRL 200.300 F

EP Material \_\_\_\_\_ EP Wage \_\_\_\_\_

Unit price/meter

# Technical Datasheet

## Long Span Cable Tray

WRL 200.300 F

the photorealistic images are to be considered as reference images

### Safety & Environment

REACH Date	25.06.2025
REACH Info	Conformable
RoHS Info	Conformable

### Origin & International Trade

Country of origin	DE
Customs tariff number	73089059

### Related items

#### Cover

Model No.	Description
WDRS 20 F	Turning bolt with locknut acc. to DIN EN ISO 10511, for WSL/WRL, steel, hot dip galvanised DIN EN ISO 1461, incl. accessories
WDV 300 F	Cover for WSL/WRL, w. joint strip, 304x3000 mm, with turning lock, steel, hot dip galvanised DIN EN ISO 1461

#### Barrier strip

Model No.	Description
KLWC 16 F	Barrier strip fastening clamp, for 16 mm slot width, steel, hot dip galvanised DIN EN ISO 1461, incl. accessories
RW 110 F	Barrier strip, 98x3000 mm, t=0,9 mm, steel, hot dip galvanised DIN EN ISO 1461, incl. accessories

#### Connector

Model No.	Description
WSV 200.500 F	Splice plate, 201,5x500 mm, steel, hot dip galvanised DIN EN ISO 1461, incl. accessories