

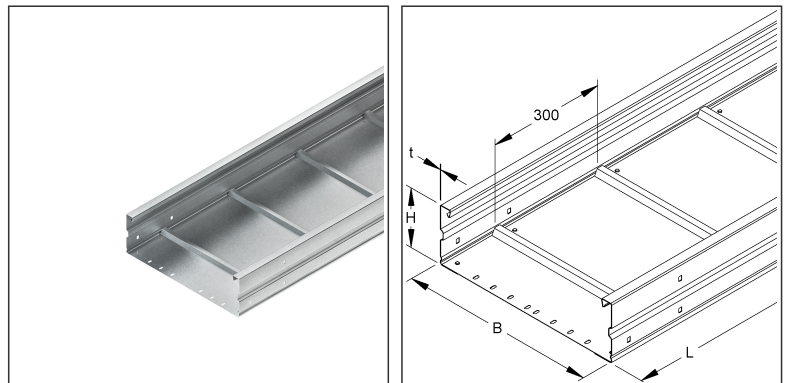
**Wide Span Cable Tray**

unperforated, with unperforated and beaded side profiles, but with connector perforations

**WRU 150.200 F**

EAN Code: 4013339591008  
 Smallest packaging unit: 6 m  
 quantity unit: m M

the photorealistic images are to be considered as reference images



**Article Description**

Wide span cable tray, 150x200x6000 mm, t=1,5 mm, unperforated, steel, hot dip galvanised DIN EN ISO 1461

**Additional Price Information**

Article group	N13
quantity unit	m

**Weight**

Weight per quantity unit	8,324 kg/ m
Weight in kg per 100	832 kg/ 100m

# Technical Datasheet

## Long Span Cable Tray

WRU 150.200 F

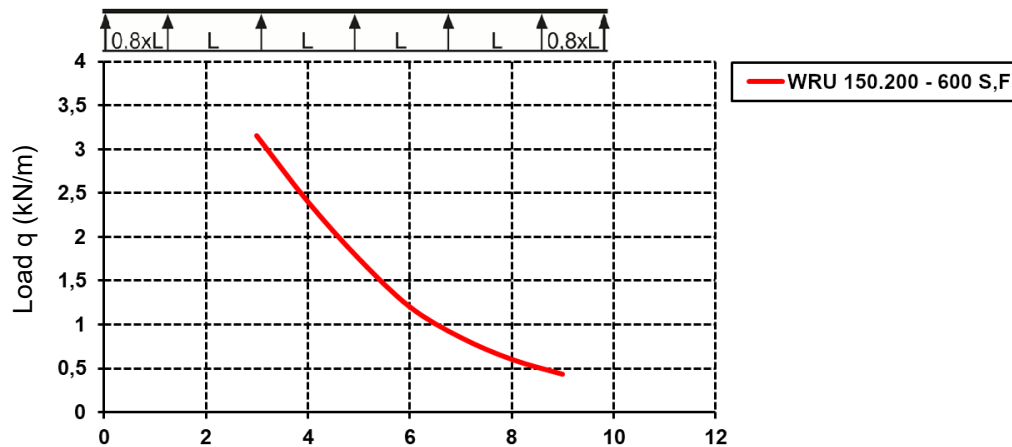
the photorealistic images are to be considered as reference images

### Physical Article Dimensions

Height	150.00 mm
Width	200.00 mm
Depth/length	6000 mm

### Load Specifications

Load diagram:  $q$  = evenly distributed cable load (tested acc. to DIN EN IEC 61537)



Fixing distance (m)

The load details shown in the diagram are independent of the position of the connectors.

### Packing Dimension

<b>6 meters = 1 piece</b>		✓ VP1-smallest packaging unit ( PU)	✓ VP1-preferred PU		
Lenght	6000 mm	Width	200.00 mm	Height	150.00 mm
Gross weight	50 kg	Volume	0,180 m <sup>3</sup>		
Min. quantity	6.00 m	Max. Quantity	6.00 m		

### Tender Text

Wide span cable tray, acc. to DIN EN 61537, with unperforated and beaded side rails, with connector perforation for connection, as well as riveted bottom with unperforated cross beads for stabilisation. Please order splice plate WSV 150.500 separately.

Dimensions (approx. dimensions)

Height H x width W : 150 x 200 mm

Material thickness : 1.5 mm

Cross-section distance : 300 mm

Delivery length : 6000 mm

Usable cross-section : 24955 mm<sup>2</sup>

Material : steel, hot-dip galvanised acc. to DIN EN ISO 1461

NIEDAX Model No. : WRU 150.200 F

EP Material \_\_\_\_\_ EP Wage \_\_\_\_\_

Unit price/meter

# Technical Datasheet

## Long Span Cable Tray

### WRU 150.200 F

the photorealistic images are to be considered as reference images

#### Safety & Environment

REACH Date	25.06.2025
REACH Info	Conformable
RoHS Info	Conformable

#### Origin & International Trade

Country of origin	DE
Customs tariff number	73089059

#### Related items

##### Cover

Model No.	Description
WDRS 20 F	Turning bolt with locknut acc. to DIN EN ISO 10511, for WSL/WRL, steel, hot dip galvanised DIN EN ISO 1461, incl. accessories
WDV 200 F	Cover for WSL/WRL, w. joint strip, 204x3000 mm, with turning lock, steel, hot dip galvanised DIN EN ISO 1461

##### Barrier strip

Model No.	Description
KLWC 16 F	Barrier strip fastening clamp, for 16 mm slot width, steel, hot dip galvanised DIN EN ISO 1461, incl. accessories
RW 110 F	Barrier strip, 98x3000 mm, t=0,9 mm, steel, hot dip galvanised DIN EN ISO 1461, incl. accessories

##### Connector

Model No.	Description
WSV 150.500 F	Splice plate, 151,5x500 mm, steel, hot dip galvanised DIN EN ISO 1461, incl. accessories