

Wide Span Cable Tray

unperforated, with unperforated and beaded side profiles, but with connector perforations

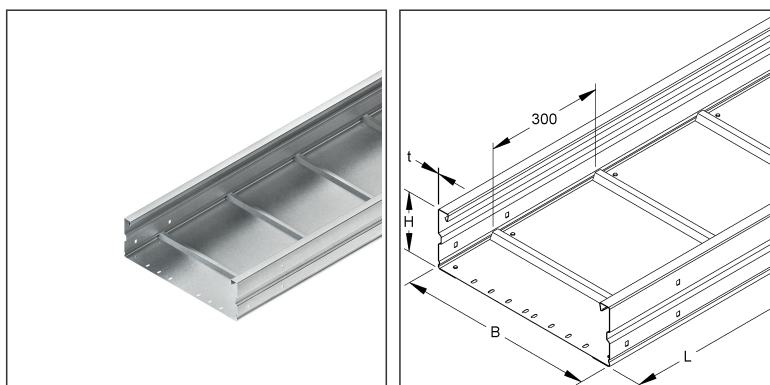
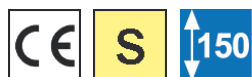
WRU 150.600

EAN Code: 4013339314102

Smallest packaging unit: 6 m

quantity unit: m M

the photorealistic images are to be considered as reference images



Article Description

Wide span cable tray, 150x600x6000 mm, t=1,5 mm, unperforated, steel, pre-galvanised according to DIN EN 10346, incl. accessories

Incl. accessories

6 meter = 1 piece

✓ lowest delivery unit

✓ preferred delivery unit

| Model No. | Description | quantity |
|-----------|--|----------|
| FLM 6X12 | Mushroom-head bolt M6, similar DIN 603, length 12 mm, steel, electro galvanised according to DIN EN ISO 2081/4042, blue pass | 4 pcs. |
| RSL 600 | Joint bar for wide span cable tray, B=589 mm, for bottom stabilisation, steel, pre-galvanised according to DIN EN 10346, incl. accessories | 1 pcs. |

Additional Price Information

| | |
|---------------|-----|
| Article group | N13 |
| quantity unit | m |

Technical Datasheet

Long Span Cable Tray

WRU 150.600

the photorealistic images are to be considered as reference images

Weight

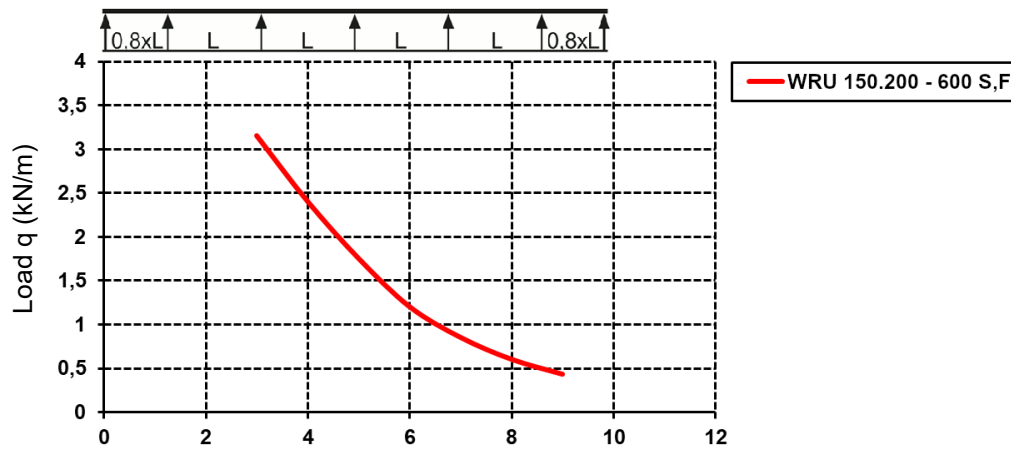
| | |
|--------------------------|----------------|
| Weight per quantity unit | 11 kg / m |
| Weight in kg per 100 | 1063 kg / 100m |

Physical Article Dimensions

| | |
|--------------|-----------|
| Height | 150.00 mm |
| Width | 600 mm |
| Depth/length | 6000 mm |

Load Specifications

Load diagram: q = evenly distributed cable load (tested acc. to DIN EN IEC 61537)



Fixing distance (m)

The load details shown in the diagram are independent of the position of the connectors.

Packing Dimension

| | | | | | |
|---------------------------|---------|-------------------------------------|----------------------|--------|-----------|
| 6 meters = 1 piece | | ✓ VP1-smallest packaging unit (PU) | ✓ VP1-preferred PU | | |
| Lenght | 6000 mm | Width | 600 mm | Height | 150.00 mm |
| Gross weight | 64 kg | Volume | 0,540 m ³ | | |
| Min. quantity | 6.00 m | Max. Quantity | 6.00 m | | |

Tender Text

Wide span cable tray, acc. to DIN EN 61537, with unperforated and beaded side rails, with connector perforation for connection, as well as riveted bottom with unperforated cross beads for stabilisation, including a joint bar RSL... and proportional fastening accessories. Please order WSV 150.500 splice plate separately.

Dimensions (approx. dimensions)

Height H x width W : 150 x 600 mm

Material thickness : 1.5 mm

Cross-section distance : 300 mm

Delivery length : 6000 mm

Usable cross-section : 77995 mm²

Material : steel, pre-galvanised acc. to DIN EN 10346

NIEDAX Model No. : WRU 150.600

Technical Datasheet

Long Span Cable Tray

WRU 150.600

the photorealistic images are to be considered as reference images

Tender Text

EP Material _____ EP Wage _____
Unit price/meter

Safety & Environment

| | |
|------------|-------------|
| REACH Date | 25.06.2025 |
| REACH Info | Conformable |
| RoHS Info | Conformable |

Origin & International Trade

| | |
|-----------------------|----------|
| Country of origin | DE |
| Customs tariff number | 73089059 |

Related items

Cover

| Model No. | Description |
|-----------|---|
| WDRS 20 | Turning bolt with locknut acc. to DIN EN ISO 10511, for WSL/WRL, steel, pre-galvanised according to DIN EN 10346, incl. accessories |
| WDV 600 | Cover for WSL/WRL, w. joint strip, 604x3000 mm, with turning lock, steel, pre-galvanised according to DIN EN 10346 |

Barrier strip

| Model No. | Description |
|-----------|---|
| KLWC 16 | Barrier strip fastening clamp, for 16 mm slot width, steel, pre-galvanised according to DIN EN 10346, incl. accessories |
| RW 110 | Barrier strip, 98x3000 mm, t=0,9 mm, steel, pre-galvanised according to DIN EN 10346, incl. accessories |

Connector

| Model No. | Description |
|-------------|--|
| WSV 150.500 | Splice plate, 151,5x500 mm, steel, pre-galvanised according to DIN EN 10346, incl. accessories |