

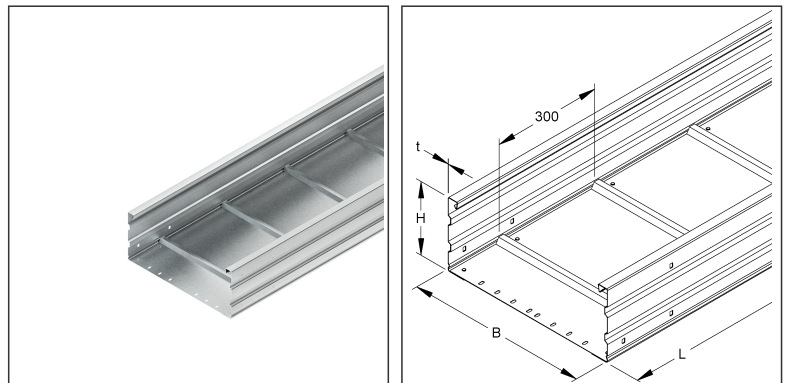
Wide Span Cable Tray

unperforated, with unperforated and beaded side profiles, but with connector perforations

WRU 200.200 F

EAN Code: 4013339593705
 Smallest packaging unit: 6 m
 quantity unit: m M

the photorealistic images are to be considered as reference images



Article Description

Wide span cable tray, 200x200x6000 mm, t=1,5 mm, unperforated, steel, hot dip galvanised DIN EN ISO 1461

Additional Price Information

Article group	N13
quantity unit	m

Weight

Weight per quantity unit	9,828 kg/ m
Weight in kg per 100	983 kg/ 100m

Technical Datasheet

Long Span Cable Tray

WRU 200.200 F

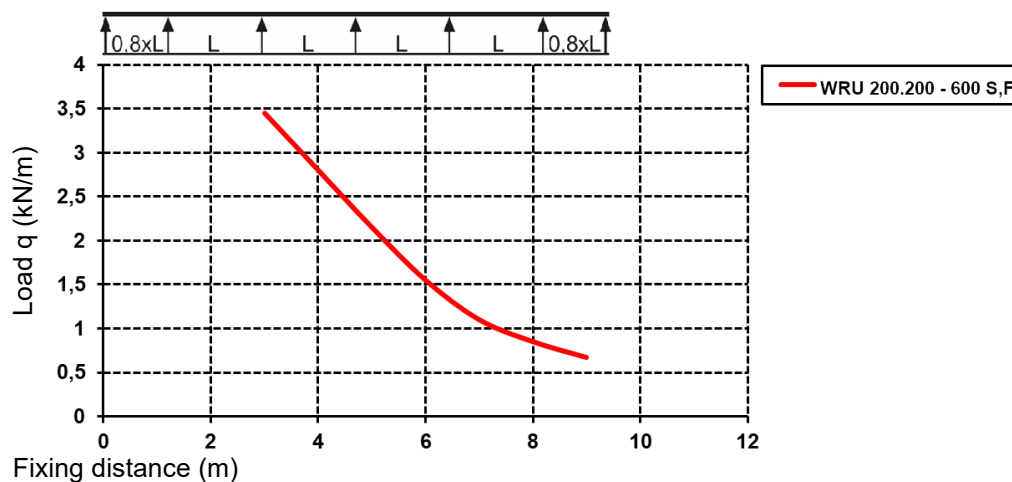
the photorealistic images are to be considered as reference images

Physical Article Dimensions

Height	200.00 mm
Width	200.00 mm
Depth/length	6000 mm

Load Specifications

Load diagram: q = evenly distributed cable load (tested acc. to DIN EN IEC 61537)



The load details shown in the diagram are independent of the position of the connectors.

Packing Dimension

6 meters = 1 piece		✓ VP1-smallest packaging unit (PU)	✓ VP1-preferred PU		
Lenght	6000 mm	Width	200.00 mm	Height	200.00 mm
Gross weight	59 kg	Volume	0,240 m ³		
Min. quantity	6.00 m	Max. Quantity	6.00 m		

Tender Text

Wide span cable tray, acc. to DIN EN 61537, with unperforated and beaded side rails, with connector perforation for connection, as well as riveted bottom with unperforated cross beads for stabilisation. Please order splice plate WSV 200.500 separately.

Dimensions (approx. dimensions)

Height H x width W : 200 x 200 mm

Material thickness : 1.5 mm

Cross-section distance : 300 mm

Delivery length : 6000 mm

Usable cross-section : 34590 mm²

Material : steel, hot-dip galvanised acc. to DIN EN ISO 1461

NIEDAX Model No. : WRU 200.200 F

EP Material _____ EP Wage _____

Unit price/meter

Technical Datasheet

Long Span Cable Tray

WRU 200.200 F

the photorealistic images are to be considered as reference images

Safety & Environment

REACH Date	25.06.2025
REACH Info	Conformable
RoHS Info	Conformable

Origin & International Trade

Country of origin	DE
Customs tariff number	73089059

Related items

Cover

Model No.	Description
WDRS 20 F	Turning bolt with locknut acc. to DIN EN ISO 10511, for WSL/WRL, steel, hot dip galvanised DIN EN ISO 1461, incl. accessories
WDV 200 F	Cover for WSL/WRL, w. joint strip, 204x3000 mm, with turning lock, steel, hot dip galvanised DIN EN ISO 1461

Barrier strip

Model No.	Description
KLWC 16 F	Barrier strip fastening clamp, for 16 mm slot width, steel, hot dip galvanised DIN EN ISO 1461, incl. accessories
RW 110 F	Barrier strip, 98x3000 mm, t=0,9 mm, steel, hot dip galvanised DIN EN ISO 1461, incl. accessories

Connector

Model No.	Description
WSV 200.500 F	Splice plate, 201,5x500 mm, steel, hot dip galvanised DIN EN ISO 1461, incl. accessories