

### Wide Span Cable Tray

unperforated, with unperforated and beaded side profiles, but with connector perforations

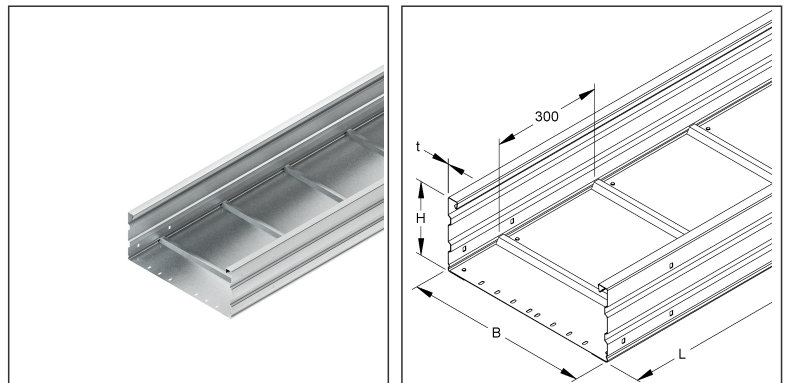
### WRU 200.600 F

EAN Code: 4013339594108

Smallest packaging unit: 6 m

quantity unit: m M

the photorealistic images are to be considered as reference images



### Article Description

Wide span cable tray, 200x600x6000 mm, t=1,5 mm, unperforated, steel, hot dip galvanised DIN EN ISO 1461, incl. accessories

### Incl. accessories

6 meter = 1 piece

✓ lowest delivery unit

✓ preferred delivery unit

Model No.	Description	quantity
FLM 6X12 F	Mushroom-head bolt M6, similar DIN 603, length 12 mm, steel, hot dip galvanised DIN EN ISO 1461	4 pcs.
RSL 600 F	Joint bar for wide span cable tray, B=589 mm, for bottom stabilisation, steel, hot dip galvanised DIN EN ISO 1461, incl. accessories	1 pcs.

### Additional Price Information

Article group	N13
quantity unit	m

# Technical Datasheet

## Long Span Cable Tray

WRU 200.600 F

the photorealistic images are to be considered as reference images

### Weight

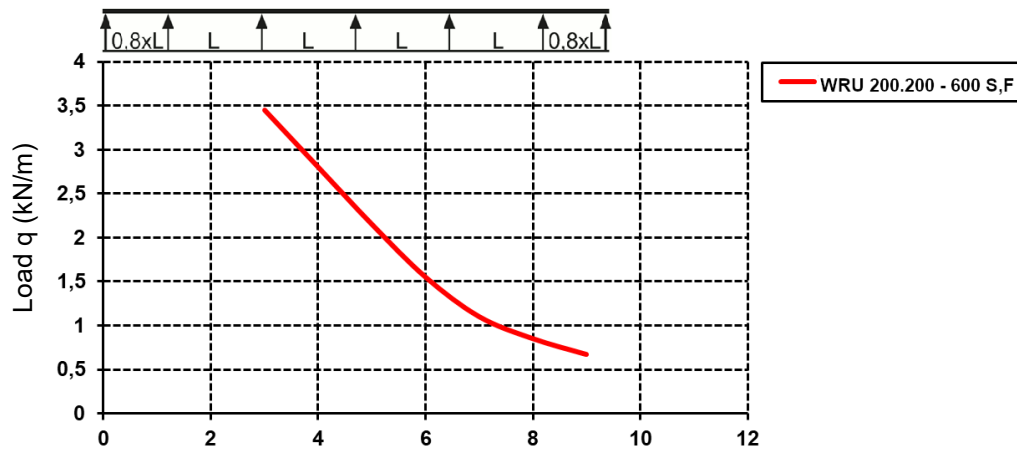
Weight per quantity unit	13 kg/ m
Weight in kg per 100	1320 kg/ 100m

### Physical Article Dimensions

Height	200.00 mm
Width	600 mm
Depth/length	6000 mm

### Load Specifications

Load diagram:  $q$  = evenly distributed cable load (tested acc. to DIN EN IEC 61537)



Fixing distance (m)

The load details shown in the diagram are independent of the position of the connectors.

### Packing Dimension

<b>6 meters = 1 piece</b>		✓ VP1-smallest packaging unit ( PU)	✓ VP1-preferred PU		
Lenght	6000 mm	Width	600 mm	Height	200.00 mm
Gross weight	79 kg	Volume	0,720 m <sup>3</sup>		
Min. quantity	6.00 m	Max. Quantity	6.00 m		

### Tender Text

Wide span cable tray, acc. to DIN EN 61537, with unperforated and beaded side rails, with connector perforation for connection, as well as riveted bottom with unperforated cross beads for stabilisation, including a joint bar RSL... and proportional fastening accessories in hot-dip galvanised. Please order WSV 200.500 splice plate separately.

Dimensions (approx. dimensions)

Height H x width W : 200 x 600 mm

Material thickness : 1.5 mm

Cross-section distance : 300 mm

Delivery length : 6000 mm

Usable cross-section : 107630 mm<sup>2</sup>

Material : steel, hot-dip galvanised to DIN EN ISO 1461

NIEDAX Model No. : WRU 200.600 F

# Technical Datasheet

## Long Span Cable Tray

### WRU 200.600 F

the photorealistic images are to be considered as reference images

#### Tender Text

EP Material \_\_\_\_\_ EP Wage \_\_\_\_\_  
Unit price/meter

#### Safety & Environment

REACH Date	25.06.2025
REACH Info	Conformable
RoHS Info	Conformable

#### Origin & International Trade

Country of origin	DE
Customs tariff number	73089059

#### Related items

##### Cover

Model No.	Description
WDRS 20 F	Turning bolt with locknut acc. to DIN EN ISO 10511, for WSL/WRL, steel, hot dip galvanised DIN EN ISO 1461, incl. accessories
WDV 600 F	Cover for WSL/WRL, w. joint strip, 604x3000 mm, with turning lock, steel, hot dip galvanised DIN EN ISO 1461

##### Barrier strip

Model No.	Description
KLWC 16 F	Barrier strip fastening clamp, for 16 mm slot width, steel, hot dip galvanised DIN EN ISO 1461, incl. accessories
RW 110 F	Barrier strip, 98x3000 mm, t=0,9 mm, steel, hot dip galvanised DIN EN ISO 1461, incl. accessories

##### Connector

Model No.	Description
WSV 200.500 F	Splice plate, 201,5x500 mm, steel, hot dip galvanised DIN EN ISO 1461, incl. accessories