

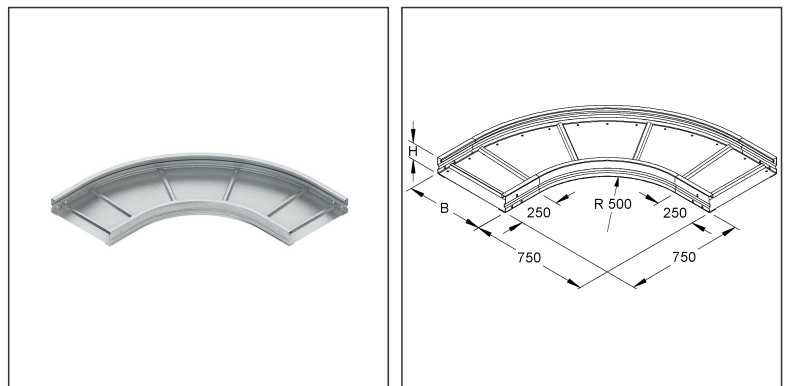
**Elbow 90°**

with beaded, round and unperforated side profiles, but with connector perforations

**WRBR 105.600 E3**

EAN Code: 4013339951123  
Smallest packaging unit: 1 pc.

the photorealistic images are to be considered as reference images



**Article Description**

Elbow 90° for WRL, 105x600 mm, round, beaded, unperforated, stainless steel, material code: 1.4301, AISI 304

**Additional Price Information**

Article group	N13
quantity unit	pcs.

**Weight**

Weight per quantity unit	18 kg / pcs.
Weight in kg per 100	1762 kg / 100pcs.

# Technical Datasheet

## Long Span Cable Tray

WRBR 105.600 E3

the photorealistic images are to be considered as reference images

### Physical Article Dimensions

Height	105.00 mm
Width	1350 mm
Depth/length	1350 mm

### Packing Dimension

<b>1 piece = 1 piece</b>		✓ VP1-smallest packaging unit ( PU)			
Lenght	1350 mm	Width	1350 mm	Height	105.00 mm
Gross weight	18 kg	Volume	0,191 m <sup>3</sup>		
Min. quantity	1.00 pcs.	Max. Quantity	1.00 pcs.		

### Tender Text

Elbow 90°, with beaded, round and unperforated side rails, with connector perforation for the connection, for wide span cable trays, dimensionally stable due to the beaded and unperforated bottom riveted over the entire surface, for creating horizontal 90° outlets. Please order splice plate WSV 105.390 separately. The fitting radii are designed so that the cables can be laid in accordance with DIN/VDE 0298 Part 3.

Butt joints must be supported in the immediate vicinity by an appropriate supporting structure.

Used for : wide span cable tray WRL 105... and WRU 105...

Dimensions (approx. dimensions)

Height H x width W : 105 x 600 mm

Dimensions outside : 750 mm + W

Inside rail radius R : 500 mm

Material : stainless steel, material no. 1.4301, AISI 304

NIEDAX Model No. : WRBR 105.600 E3

EP Material\_\_\_\_\_ EP Wage\_\_\_\_\_

Unit price/piece

### Safety & Environment

REACH Date	25.06.2025
REACH Info	Conformable
RoHS Info	Conformable

### Origin & International Trade

Country of origin	DE
Customs tariff number	73089059

# Technical Datasheet

## Long Span Cable Tray

WRBR 105.600 E3

the photorealistic images are to be considered as reference images

### Related items

#### Cover

Model No.	Description
WBRDV 600 E3	Cover for elbow 90° for WSL/WRL, width 604 mm, with turning lock, stainless steel, material code: 1.4301, AISI 304
WDRS 20 E3	Turning bolt with locknut acc. to DIN EN ISO 10511, for WSL/WRL, stainless steel, material code: 1.4301, AISI 304, incl. accessories

#### Connector

Model No.	Description
WSV 105.390 E3	Splice plate, 106,5x390 mm, stainless steel, material code: 1.4301, AISI 304, incl. accessories