

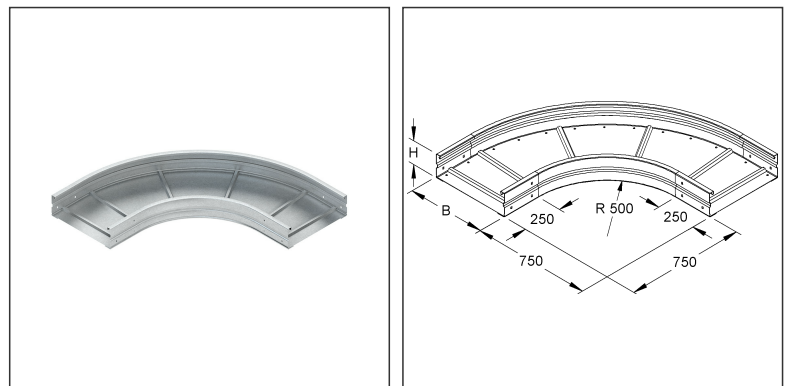
**Elbow 90°**

with beaded, round and unperforated side profiles, but with connector perforations

**WRBR 150.400 E3**

EAN Code: 4013339951154  
 Smallest packaging unit: 1 pc.

the photorealistic images are to be considered as reference images



**Article Description**

Elbow 90° for WRL, 150x400 mm, round, beaded, unperforated, stainless steel, material code: 1.4301, AISI 304

**Additional Price Information**

Article group	N13
quantity unit	pcs.

**Weight**

Weight per quantity unit	15 kg / pcs.
Weight in kg per 100	1511 kg / 100pcs.

# Technical Datasheet

## Long Span Cable Tray

### WRBR 150.400 E3

the photorealistic images are to be considered as reference images

#### Physical Article Dimensions

Height	150.00 mm
Width	1150 mm
Depth/length	1150 mm

#### Packing Dimension

<b>1 piece = 1 piece</b>		✓ VP1-smallest packaging unit ( PU)			
Lenght	1150 mm	Width	1150 mm	Height	150.00 mm
Gross weight	15 kg	Volume	0,198 m <sup>3</sup>		
Min. quantity	1.00 pcs.	Max. Quantity	1.00 pcs.		

#### Tender Text

Elbow 90°, with beaded, round and unperforated side rails, with connector perforation for the connection, for wide span cable trays, dimensionally stable due to the beaded and unperforated bottom riveted over the entire surface, for creating horizontal 90° outlets. Please order splice plate WSV 150.500 separately. The fitting radii are designed so that the cables can be laid in accordance with DIN/VDE 0298 Part 3.

Butt joints must be supported in the immediate vicinity by an appropriate supporting structure.

Used for : wide span cable tray WRL 150..., WRU 150... and WRLM 150...

Dimensions (approx. dimensions)  
Height H x width W : 150 x 400 mm  
Dimensions outside : 750 mm + W  
Inside rail radius R : 500 mm  
Material : stainless steel, material no. 1.4301, AISI 304  
NIEDAX Model No. : WRBR 150.400 E3  
EP Material\_\_\_\_\_ EP Wage\_\_\_\_\_  
Unit price/piece

#### Safety & Environment

REACH Date	25.06.2025
REACH Info	Conformable
RoHS Info	Conformable

#### Origin & International Trade

Country of origin	DE
Customs tariff number	73089059

# Technical Datasheet

## Long Span Cable Tray

WRBR 150.400 E3

the photorealistic images are to be considered as reference images

### Related items

#### Cover

Model No.	Description
WBRDV 400 E3	Cover for elbow 90° for WSL/WRL, width 404 mm, with turning lock, stainless steel, material code: 1.4301, AISI 304
WDRS 20 E3	Turning bolt with locknut acc. to DIN EN ISO 10511, for WSL/WRL, stainless steel, material code: 1.4301, AISI 304, incl. accessories

#### Connector

Model No.	Description
WSV 150.500 E3	Splice plate, 151,5x500 mm, stainless steel, material code: 1.4301, AISI 304, incl. accessories