

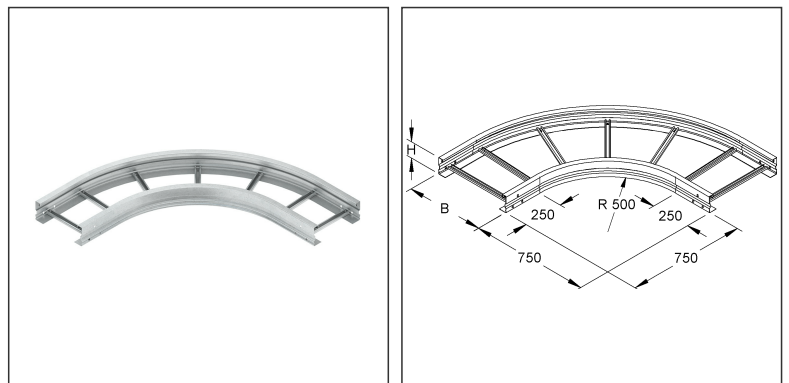
Elbow 90°

with beaded, round and unperforated side profiles, but with connector perforations

WSBR 105.300 F

EAN Code: 4013339950676
Smallest packaging unit: 1 pc.

the photorealistic images are to be considered as reference images



Article Description

Elbow 90° for WSL, 105x300 mm, round, beaded, unperforated, steel, hot dip galvanised DIN EN ISO 1461

Additional Price Information

| | |
|---------------|------|
| Article group | N13 |
| quantity unit | pcs. |

Weight

| | |
|--------------------------|-------------------|
| Weight per quantity unit | 10 kg / pcs. |
| Weight in kg per 100 | 1016 kg / 100pcs. |

Physical Article Dimensions

| | |
|--------------|-----------|
| Height | 105.00 mm |
| Width | 1050 mm |
| Depth/length | 1050 mm |

Technical Datasheet

Long Span Cable Ladder

WSBR 105.300 F

the photorealistic images are to be considered as reference images

Packing Dimension

| | | | | | |
|--------------------------|-----------|-------------------------------------|-----------|--------|-----------|
| 1 piece = 1 piece | | ✓ VP1-smallest packaging unit (PU) | | | |
| Lenght | 1050 mm | Width | 1050 mm | Height | 105.00 mm |
| Gross weight | 10 kg | Volume | 0,116 m³ | | |
| Min. quantity | 1.00 pcs. | Max. Quantity | 1.00 pcs. | | |

Tender Text

Elbow 90°, with corrugated, round and unperforated side rails, with connector perforation for connection, for wide span cable ladder, dimensionally stable due to riveted C-profile rungs open at the top with 16 mm slot width, for the creation of horizontal 90° branches. Please order splice plate WSV 105.390 separately.

The fitting radii are designed so that the cables can be laid in accordance with DIN/VDE 0298 Part 3.

Corresponding U-clamps: B... and BK...

Butt joints must be supported in the immediate vicinity by an appropriate supporting structure.

Used for : Wide span cable ladder WSL 105...

Dimensions (approx. dimensions)

Height H x Width W : 105 x 300 mm

Dimensions outside : 750 mm + W

Inner rail radius R : 500 mm

Material : Steel, hot-dip galvanised acc. to DIN EN ISO 1461

NIEDAX Model No. : WSBR 105.300 F

EP Material _____ EP Wage _____

Unit price/piece

Safety & Environment

| | |
|------------|-------------|
| REACH Date | 25.06.2025 |
| REACH Info | Conformable |
| RoHS Info | Conformable |

Origin & International Trade

| | |
|----------------------|----------|
| Country of origin | DE |
| Customs tarif number | 73089059 |

Related items

Cover

| Model No. | Description |
|-------------|---|
| WBRDV 300 F | Cover for elbow 90° for WSL/WRL, width 304 mm, with turning lock, steel, hot dip galvanised DIN EN ISO 1461 |
| WDRS 20 F | Turning bolt with locknut acc. to DIN EN ISO 10511, for WSL/WRL, steel, hot dip galvanised DIN EN ISO 1461, incl. accessories |

Technical Datasheet

Long Span Cable Ladder

WSBR 105.300 F

the photorealistic images are to be considered as reference images

Related items

Connector

| Model No. | Description |
|---------------|--|
| WSV 105.390 F | Splice plate, 106,5x390 mm, steel, hot dip galvanised DIN EN ISO 1461, incl. accessories |