

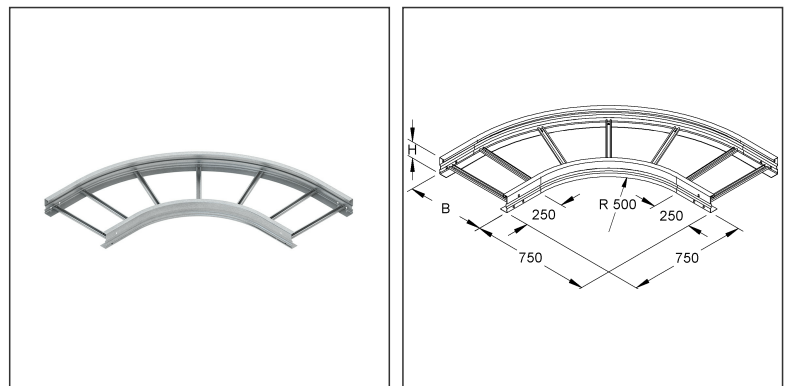
**Elbow 90°**

with beaded, round and unperforated side profiles, but with connector perforations

**WSBR 105.600 F**

EAN Code: 4013339950706  
 Smallest packaging unit: 1 pc.

the photorealistic images are to be considered as reference images



**Article Description**

Elbow 90° for WSL, 105x600 mm, round, beaded, unperforated, steel, hot dip galvanised DIN EN ISO 1461

**Additional Price Information**

Article group	N13
quantity unit	pcs.

**Weight**

Weight per quantity unit	13 kg / pcs.
Weight in kg per 100	1321 kg / 100pcs.

**Physical Article Dimensions**

Height	105.00 mm
Width	1350 mm
Depth/length	1350 mm

# Technical Datasheet

## Long Span Cable Ladder

WSBR 105.600 F

the photorealistic images are to be considered as reference images

### Packing Dimension

<b>1 piece = 1 piece</b>		✓ VP1-smallest packaging unit ( PU)			
Lenght	1350 mm	Width	1350 mm	Height	105.00 mm
Gross weight	13 kg	Volume	0,191 m <sup>3</sup>		
Min. quantity	1.00 pcs.	Max. Quantity	1.00 pcs.		

### Tender Text

Elbow 90°, with corrugated, round and unperforated side rails, with connector perforation for connection, for wide span cable ladder, dimensionally stable due to riveted C-profile rungs open at the top with 16 mm slot width, for the creation of horizontal 90° branches. Please order splice plate WSV 105.390 separately.

The fitting radii are designed so that the cables can be laid in accordance with DIN/VDE 0298 Part 3.

Corresponding U-clamps: B... and BK...

Butt joints must be supported in the immediate vicinity by an appropriate supporting structure.

Used for : Wide span cable ladder WSL 105...

Dimensions (approx. dimensions)

Height H x Width W : 105 x 600 mm

Dimensions outside : 750 mm + W

Inner rail radius R : 500 mm

Material : Steel, hot-dip galvanised acc. to DIN EN ISO 1461

NIEDAX Model No. : WSBR 105.600 F

EP Material\_\_\_\_\_ EP Wage\_\_\_\_\_

Unit price/piece

### Safety & Environment

REACH Date	25.06.2025
REACH Info	Conformable
RoHS Info	Conformable

### Origin & International Trade

Country of origin	DE
Customs tarif number	73089059

### Related items

#### Cover

Model No.	Description
WBRDV 600 F	Cover for elbow 90° for WSL/WRL, width 604 mm, with turning lock, steel, hot dip galvanised DIN EN ISO 1461
WDRS 20 F	Turning bolt with locknut acc. to DIN EN ISO 10511, for WSL/WRL, steel, hot dip galvanised DIN EN ISO 1461, incl. accessories

# Technical Datasheet

## Long Span Cable Ladder

WSBR 105.600 F

the photorealistic images are to be considered as reference images

### Related items

#### Connector

Model No.	Description
WSV 105.390 F	Splice plate, 106,5x390 mm, steel, hot dip galvanised DIN EN ISO 1461, incl. accessories