

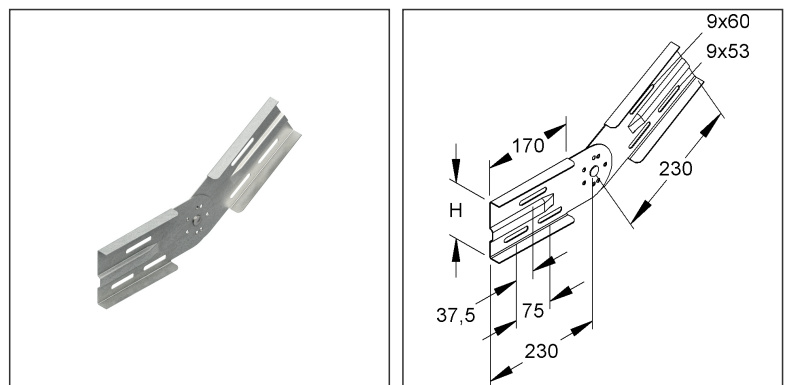
Joint Connector

vertical

WSGV 105 E3

EAN Code: 4013339725304
Smallest packaging unit: 1 pc.

the photorealistic images are to be considered as reference images



Article Description

Joint connector, vertical, height 106,5 mm, stainless steel, material code: 1.4301, AISI 304, incl. accessories

Incl. accessories

| 1 piece = 1 piece | ✓ lowest delivery unit | - preferred delivery unit |
|--------------------------|--|---------------------------|
| Model No. | Description | quantity |
| FLM 8X16 E3 | Mushroom-head bolt M8, similar DIN 603, length 16 mm, stainless steel, material code: 1.4301, AISI 304 | 6 pcs. |

Additional Price Information

| | |
|---------------|------|
| Article group | N13 |
| quantity unit | pcs. |

Technical Datasheet

Long Span Cable Tray

WSGV 105 E3

the photorealistic images are to be considered as reference images

Weight

| | |
|--------------------------|-----------------|
| Weight per quantity unit | 925 g / pcs. |
| Weight in kg per 100 | 92 kg / 100pcs. |

Physical Article Dimensions

| | |
|--------------|-----------|
| Height | 109.50 mm |
| Width | 35.50 mm |
| Depth/length | 460 mm |

Packing Dimension

| | | | | | |
|--------------------------|-----------|-------------------------------------|----------------------|--------|-----------|
| 1 piece = 1 piece | | ✓ VP1-smallest packaging unit (PU) | | | |
| Lenght | 460 mm | Width | 36.00 mm | Height | 110.00 mm |
| Gross weight | 0,92 kg | Volume | 0,002 m ³ | | |
| Min. quantity | 1.00 pcs. | Max. Quantity | 1.00 pcs. | | |

Tender Text

| |
|---|
| <p>Adjustable splice plate, vertical, for creating vertical angle connections of continuous wide span cable trays/ladders, including proportional fastening accessories made of stainless steel.</p> <p>Equipotential bonding is achieved by bolting to the wide span cable trays/ladder beams as well as the fitting beams.</p> <p>Used for : wide span cable trays/ladders and their fittings with an edge height of 105 mm</p> <p>Requirement : 2 pieces per joint</p> <p>Dimensions (approx. dimensions)</p> <p>Height H : 106.5 mm</p> <p>Material : stainless steel, material no. 1.4301, AISI 304</p> <p>NIEDAX Model No. : WSGV 105 E3</p> <p>EP Material_____ EP Wage_____</p> <p>Unit price/piece</p> |
|---|

Safety & Environment

| | |
|------------|-------------|
| REACH Date | 25.06.2025 |
| REACH Info | Conformable |
| RoHS Info | Conformable |

Origin & International Trade

| | |
|-------------------------|----------|
| Country of origin | DE |
| Federal State of Origin | RP |
| Customs tarif number | 73089059 |