

Joint Connector

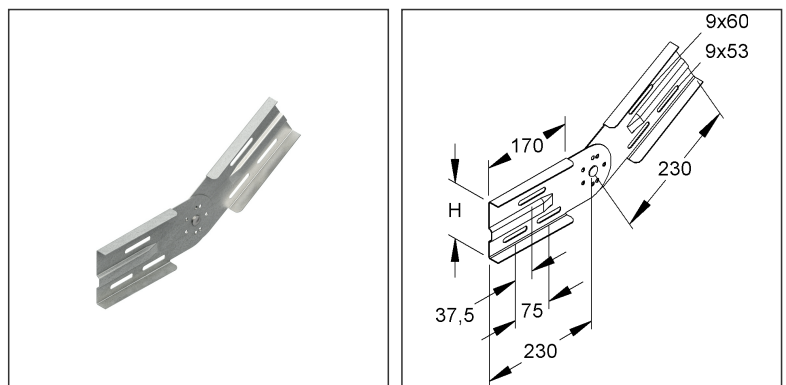
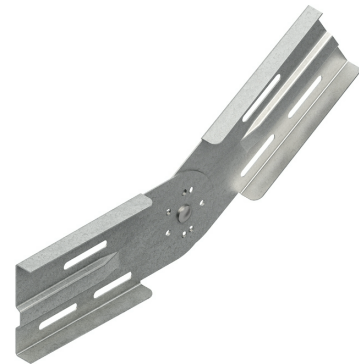
vertical

WSGV 105 F

EAN Code: 4013339590308

Smallest packaging unit: 1 pc.

the photorealistic images are to be considered as reference images



Article Description

Joint connector, vertical, height 106,5 mm, steel, hot dip galvanised DIN EN ISO 1461, incl. accessories

Incl. accessories

1 piece = 1 piece

✓ lowest delivery unit

– preferred delivery unit

Model No.	Description	quantity
FLM 8X13 F	Mushroom-head bolt M8, similar DIN 603, length 13 mm, steel, hot dip galvanised DIN EN ISO 1461	6 pcs.

Additional Price Information

Article group	N13
quantity unit	pcs.

Technical Datasheet

Long Span Cable Tray

WSGV 105 F

the photorealistic images are to be considered as reference images

Weight

Weight per quantity unit	1,000 kg/ pcs.
Weight in kg per 100	100 kg/ 100pcs.

Physical Article Dimensions

Height	109.50 mm
Width	35.50 mm
Depth/length	460 mm

Packing Dimension

1 piece = 1 piece		✓ VP1-smallest packaging unit (PU)			
Lenght	460 mm	Width	36.00 mm	Height	110.00 mm
Gross weight	1 kg	Volume	0,002 m ³		
Min. quantity	1.00 pcs.	Max. Quantity	1.00 pcs.		

Tender Text

Adjustable splice plate, vertical, for creating vertical angle connections of continuous wide span cable trays/ladders, including proportional fastening accessories in hot-dip galvanised. Equipotential bonding is achieved by bolting to the wide span cable tray/ladder beams and the fitting beams.

Used for : wide span cable trays/ladders and their fittings with an edge height of 105 mm

Requirement : 2 pieces per joint

Dimensions (approx. dimensions)

Height H : 106.5 mm

Material : steel, hot-dip galvanised acc. to DIN EN ISO 1461

NIEDAX Model No. : WSGV 105 F

EP Material_____ EP Wage_____

Unit price/piece

Safety & Environment

REACH Date	25.06.2025
REACH Info	Conformable
RoHS Info	Conformable

Origin & International Trade

Country of origin	DE
Federal State of Origin	RP
Customs tarif number	73089059