

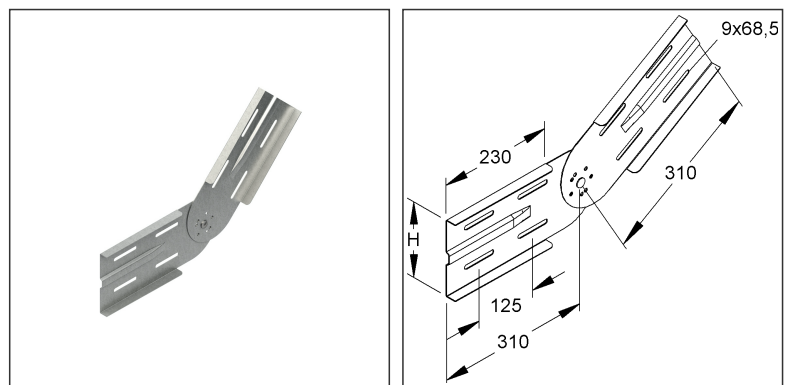
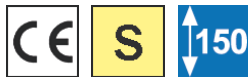
Joint Connector

vertical

WSGV 150

EAN Code: 4013339305209
 Smallest packaging unit: 1 pc.

the photorealistic images are to be considered as reference images



Article Description

Joint connector, vertical, height 151,5 mm, steel, pre-galvanised according to DIN EN 10346, incl. accessories

Incl. accessories

1 piece = 1 piece	✓ lowest delivery unit	- preferred delivery unit
Model No.	Description	quantity
FLM 8X13 F	Mushroom-head bolt M8, similar DIN 603, length 13 mm, steel, hot dip galvanised DIN EN ISO 1461	6 pcs.

Additional Price Information

Article group	N13
quantity unit	pcs.

Technical Datasheet

Long Span Cable Tray

WSGV 150

the photorealistic images are to be considered as reference images

Weight

Weight per quantity unit	1,521 kg/ pcs.
Weight in kg per 100	152 kg/ 100pcs.

Physical Article Dimensions

Height	154.50 mm
Width	35.50 mm
Depth/length	620 mm

Packing Dimension

1 piece = 1 piece		✓ VP1-smallest packaging unit (PU)			
Lenght	620 mm	Width	36.00 mm	Height	155.00 mm
Gross weight	1,52 kg	Volume	0,003 m ³		
Min. quantity	1.00 pcs.	Max. Quantity	1.00 pcs.		

Tender Text

Adjustable splice plate, vertical, for creating vertical angle connections of continuous wide span cable trays/ladders, including proportional fastening accessories in hot-dip galvanised. Equipotential bonding is achieved by bolting to the wide span cable tray/ladder beams and the fitting beams.

Used for : wide span cable trays/ladders and their fittings with an edge height of 150 mm

Requirement : 2 pieces per joint

Dimensions (approx. dimensions)

Height H : 151.5 mm

Material : steel, pre-galvanised acc. to DIN EN 10346

NIEDAX Model No. : WSGV 150

EP Material_____ EP Wage_____

Unit price/piece

Safety & Environment

REACH Date	25.06.2025
REACH Info	Conformable
RoHS Info	Conformable

Origin & International Trade

Country of origin	DE
Federal State of Origin	RP
Customs tariff number	73089059