

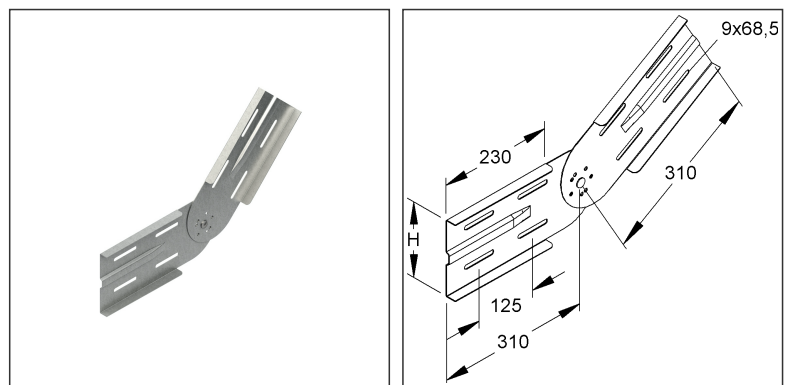
Joint Connector

vertical

WSGV 150 F

EAN Code: 4013339593002
 Smallest packaging unit: 1 pc.

the photorealistic images are to be considered as reference images



Article Description

Joint connector, vertical, height 151,5 mm, steel, hot dip galvanised DIN EN ISO 1461, incl. accessories

Incl. accessories

1 piece = 1 piece lowest delivery unit preferred delivery unit

| Model No. | Description | quantity |
|------------|---|----------|
| FLM 8X13 F | Mushroom-head bolt M8, similar DIN 603, length 13 mm, steel, hot dip galvanised DIN EN ISO 1461 | 6 pcs. |

Additional Price Information

| | |
|---------------|------|
| Article group | N13 |
| quantity unit | pcs. |

Technical Datasheet

Long Span Cable Tray

WSGV 150 F

the photorealistic images are to be considered as reference images

Weight

| | |
|--------------------------|-----------------|
| Weight per quantity unit | 1,661 kg/ pcs. |
| Weight in kg per 100 | 166 kg/ 100pcs. |

Physical Article Dimensions

| | |
|--------------|-----------|
| Height | 154.50 mm |
| Width | 35.50 mm |
| Depth/length | 620 mm |

Packing Dimension

| | | | | | |
|--------------------------|-----------|-------------------------------------|----------------------|--------|-----------|
| 1 piece = 1 piece | | ✓ VP1-smallest packaging unit (PU) | | | |
| Lenght | 620 mm | Width | 36.00 mm | Height | 155.00 mm |
| Gross weight | 1,66 kg | Volume | 0,003 m ³ | | |
| Min. quantity | 1.00 pcs. | Max. Quantity | 1.00 pcs. | | |

Tender Text

Adjustable splice plate, vertical, for creating vertical angle connections of continuous wide span cable trays/ladders, including proportional fastening accessories in hot-dip galvanised. Equipotential bonding is achieved by bolting to the wide span cable tray/ladder beams and the fitting beams.

Used for : wide span cable trays/ladders and their fittings with an edge height of 150 mm

Requirement : 2 pieces per joint

Dimensions (approx. dimensions)

Height H : 151.5 mm

Material : steel, hot-dip galvanised acc. to DIN EN ISO 1461

NIEDAX Model No. : WSGV 150 F

EP Material_____ EP Wage_____

Unit price/piece

Safety & Environment

| | |
|------------|-------------|
| REACH Date | 25.06.2025 |
| REACH Info | Conformable |
| RoHS Info | Conformable |

Origin & International Trade

| | |
|-------------------------|----------|
| Country of origin | DE |
| Federal State of Origin | RP |
| Customs tarif number | 73089059 |