

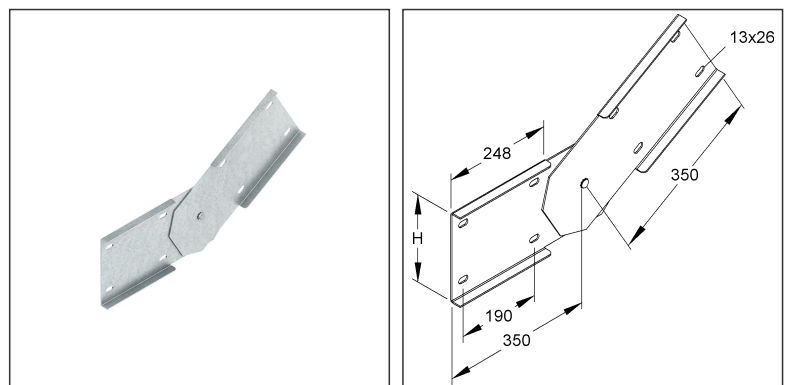
### Joint Connector

vertical

### WSGVS 200

EAN Code: 4013339308606  
 Smallest packaging unit: 1 pc.

the photorealistic images are to be considered as reference images



### Article Description

Joint connector, vertical, height 202 mm, steel, hot dip galvanised DIN EN ISO 1461, incl. accessories

### Incl. accessories

<b>1 piece = 1 piece</b>	✓ lowest delivery unit	- preferred delivery unit
Model No.	Description	quantity
FLM 12X30 F	Mushroom-head bolt M12, similar DIN 603, length 30 mm, steel, hot dip galvanised DIN EN ISO 1461	8 pcs.

### Additional Price Information

Article group	N13
quantity unit	pcs.

# Technical Datasheet

## Long Span Cable Tray

WSGVS 200

the photorealistic images are to be considered as reference images

### Weight

Weight per quantity unit	5,713 kg/ pcs.
Weight in kg per 100	571 kg/ 100pcs.

### Physical Article Dimensions

Height	208 mm
Width	36.95 mm
Depth/length	700 mm

### Packing Dimension

<b>1 piece = 1 piece</b>		✓ VP1-smallest packaging unit ( PU)			
Lenght	700 mm	Width	37.00 mm	Height	208 mm
Gross weight	5,71 kg	Volume	0,005 m <sup>3</sup>		
Min. quantity	1.00 pcs.	Max. Quantity	1.00 pcs.		

### Tender Text

Joint connector, vertical, for creating vertical angle connections of continuous wide span cable ladders, including proportional fastening accessories in hot-dip galvanised.

The equipotential bonding takes place through the screw connection with the wide span cable tray/ladder beams as well as the fitting beams.

Used for: wide span cable ladders WSLs... and their fittings with 200 mm edge height

Requirement : 2 pieces per joint

Dimensions (approx. dimensions)

Height H : 202 mm

Material : Steel, hot-dip galvanised acc. to DIN EN ISO 1461

NIEDAX Model No. : WSGVS 200

EP Material\_\_\_\_\_ EP Lohn\_\_\_\_\_

Unit price/piece

### Safety & Environment

REACH Date	25.06.2025
REACH Info	Conformable
RoHS Info	Conformable

### Origin & International Trade

Country of origin	DE
Federal State of Origin	RP
Customs tariff number	73089059