

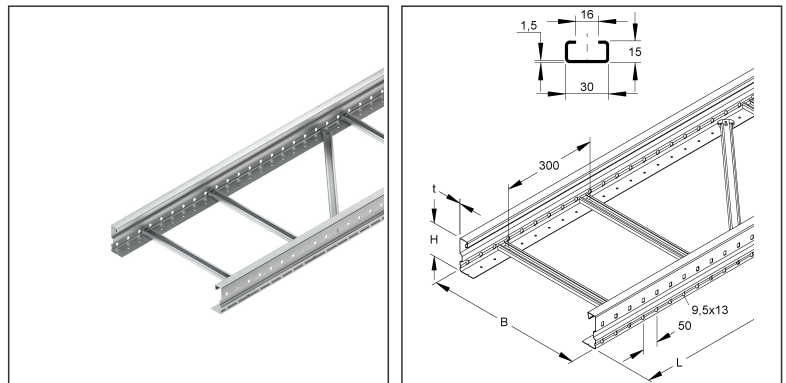
Wide Span Cable Ladder

rung spacing 300 mm, with continuously perforated and beaded side profiles, with riveted, upwardly open C-profile rungs with 16 mm slot width

WSL 105.400 F

EAN Code: 4013339577804
 Smallest packaging unit: 6 m
 quantity unit: m M

the photorealistic images are to be considered as reference images



Article Description

Wide span cable ladder, 105x400x6000 mm, t=1,5 mm, perforated, steel, hot dip galvanised DIN EN ISO 1461

Additional Price Information

Article group	N13
quantity unit	m

Weight

Weight per quantity unit	6,612 kg / m
Weight in kg per 100	661 kg / 100m

Technical Datasheet

Long Span Cable Ladder

WSL 105.400 F

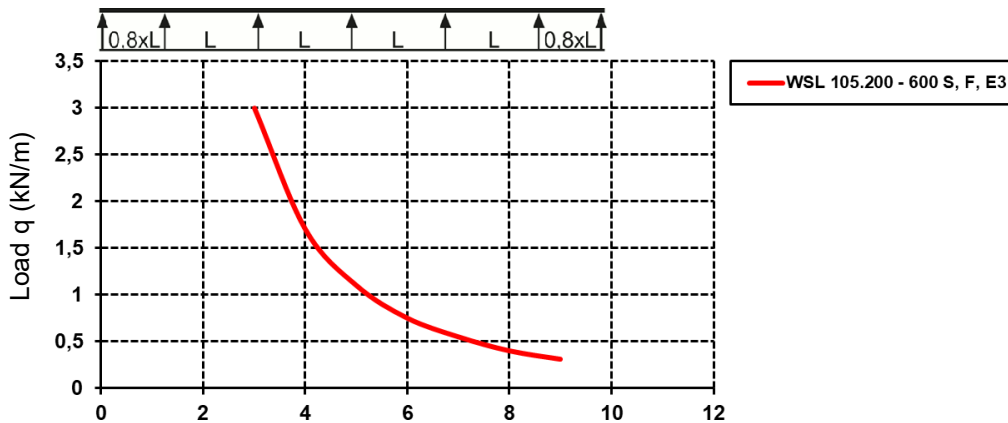
the photorealistic images are to be considered as reference images

Physical Article Dimensions

Height	105.00 mm
Width	400 mm
Depth/length	6000 mm

Load Specifications

Load diagram: q = evenly distributed cable load (tested acc. to DIN EN IEC 61537)



Fixing distance (m)

The load details shown in the diagram are independent of the position of the connectors.

Packing Dimension

6 meters = 1 piece		✓ VP1-smallest packaging unit (PU)	✓ VP1-preferred PU		
Lenght	6000 mm	Width	400 mm	Height	105.00 mm
Gross weight	40 kg	Volume	0,252 m ³		
Min. quantity	6.00 m	Max. Quantity	6.00 m		

Tender Text

Wide span cable ladder, acc. to DIN EN 61537, with continuous perforated and corrugated side rails and rungs riveted in C-profile with 16 mm slot width. Corresponding U-clamps: B... and BK...
 Please order splice plate WSV 105.390 separately.
 Dimensions (approx. dimensions)
 Height H x width W : 105 x 400 mm
 Material thickness : 1.5 mm
 Rung distance : 300 mm
 Side rail perforation : 9.5 x 13 mm
 Hole distance : 50 mm
 Base perforation : Ø 5.4 mm
 Hole distance : 50 mm
 Delivery length : 6000 mm
 Usable cross-section : 33835 mm²
 Material : Steel, hot-dip galvanised acc. to DIN EN ISO 1461
 NIEDAX Model No. : WSL 105.400 F
 EP Material _____ EP Wage _____
 Unit price/meter

Technical Datasheet

Long Span Cable Ladder

WSL 105.400 F

the photorealistic images are to be considered as reference images

Safety & Environment

REACH Date	25.06.2025
REACH Info	Conformable
RoHS Info	Conformable

Origin & International Trade

Country of origin	DE
Customs tariff number	73089059

Related items

Cover

Model No.	Description
WDRS 20 F	Turning bolt with locknut acc. to DIN EN ISO 10511, for WSL/WRL, steel, hot dip galvanised DIN EN ISO 1461, incl. accessories
WDV 400 F	Cover for WSL/WRL, w. joint strip, 404x3000 mm, with turning lock, steel, hot dip galvanised DIN EN ISO 1461

Barrier strip

Model No.	Description
KLWC 16 F	Barrier strip fastening clamp, for 16 mm slot width, steel, hot dip galvanised DIN EN ISO 1461, incl. accessories
RW 85 F	Barrier strip, 80x3000 mm, t=0,9 mm, steel, hot dip galvanised DIN EN ISO 1461, incl. accessories

Connector

Model No.	Description
WSV 105.390 F	Splice plate, 106,5x390 mm, steel, hot dip galvanised DIN EN ISO 1461, incl. accessories