

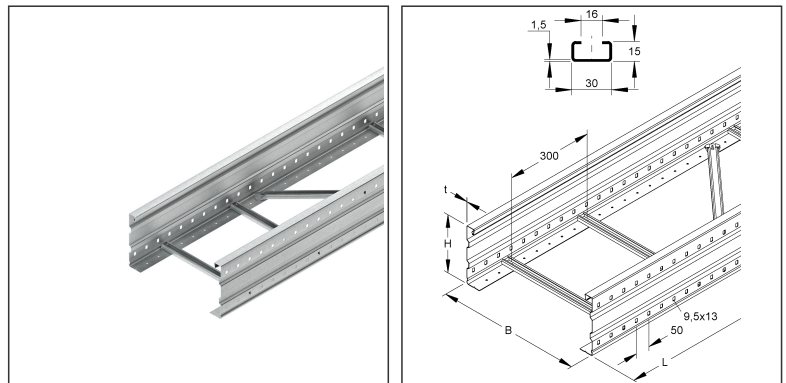
Wide Span Cable Ladder

rung spacing 300 mm, with continuously perforated and beaded side profiles, with riveted, upwardly open C-profile rungs with 16 mm slot width

WSL 200.200 F

EAN Code: 4013339581603
 Smallest packaging unit: 6 m
 quantity unit: m M

the photorealistic images are to be considered as reference images



Article Description

Wide span cable ladder, 200x200x6000 mm, t=1,5 mm, perforated, steel, hot dip galvanised DIN EN ISO 1461

Additional Price Information

| | |
|---------------|-----|
| Article group | N13 |
| quantity unit | m |

Weight

| | |
|--------------------------|---------------|
| Weight per quantity unit | 8,688 kg / m |
| Weight in kg per 100 | 869 kg / 100m |

Technical Datasheet

Long Span Cable Ladder

WSL 200.200 F

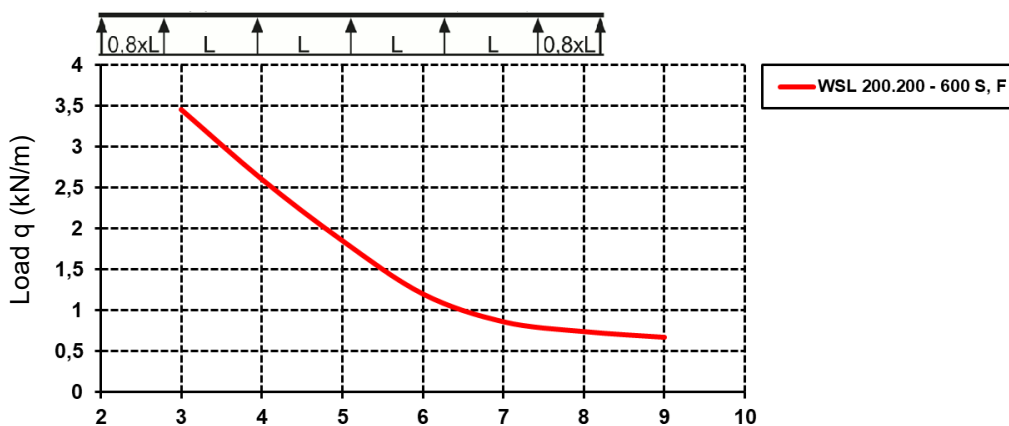
the photorealistic images are to be considered as reference images

Physical Article Dimensions

| | |
|--------------|-----------|
| Height | 200.00 mm |
| Width | 200.00 mm |
| Depth/length | 6000 mm |

Load Specifications

Load diagram: q = evenly distributed cable load (tested acc. to DIN EN IEC 61537)



Fixing distance (m)

The load details shown in the diagram are independent of the position of the connectors.

Packing Dimension

| | | | | | |
|---------------------------|---------|-------------------------------------|----------------------|--------|-----------|
| 6 meters = 1 piece | | ✓ VP1-smallest packaging unit (PU) | ✓ VP1-preferred PU | | |
| Lenght | 6000 mm | Width | 200.00 mm | Height | 200.00 mm |
| Gross weight | 52 kg | Volume | 0,240 m ³ | | |
| Min. quantity | 6.00 m | Max. Quantity | 6.00 m | | |

Tender Text

Wide span cable ladder, acc. to DIN EN 61537, with continuous perforated and corrugated side rails and rungs riveted in C-profile with 16 mm slot width.

Corresponding U-clamps: B... and BK...

Please order splice plate WSV 200.500 separately.

Dimensions (approx. dimensions)

Height H x width W : 200 x 200 mm

Material thickness : 1.5 mm

Rung distance : 300 mm

Side rail perforation : 9.5 x 13 mm

Hole distance : 50 mm

Delivery length : 6000 mm

Usable cross-section : 34770 mm²

Material : Steel, hot-dip galvanised acc. to DIN EN ISO 1461

NIEDAX Model No. : WSL 200.200 F

EP Material _____ EP Wage _____

Unit price/meter

Technical Datasheet

Long Span Cable Ladder

WSL 200.200 F

the photorealistic images are to be considered as reference images

Safety & Environment

| | |
|------------|-------------|
| REACH Date | 25.06.2025 |
| REACH Info | Conformable |
| RoHS Info | Conformable |

Origin & International Trade

| | |
|-----------------------|----------|
| Country of origin | DE |
| Customs tariff number | 73089059 |

Related items

Cover

| Model No. | Description |
|-----------|---|
| WDRS 20 F | Turning bolt with locknut acc. to DIN EN ISO 10511, for WSL/WRL, steel, hot dip galvanised DIN EN ISO 1461, incl. accessories |
| WDV 200 F | Cover for WSL/WRL, w. joint strip, 204x3000 mm, with turning lock, steel, hot dip galvanised DIN EN ISO 1461 |

Barrier strip

| Model No. | Description |
|-----------|---|
| KLWC 16 F | Barrier strip fastening clamp, for 16 mm slot width, steel, hot dip galvanised DIN EN ISO 1461, incl. accessories |
| RW 110 F | Barrier strip, 98x3000 mm, t=0,9 mm, steel, hot dip galvanised DIN EN ISO 1461, incl. accessories |

Connector

| Model No. | Description |
|---------------|--|
| WSV 200.500 F | Splice plate, 201,5x500 mm, steel, hot dip galvanised DIN EN ISO 1461, incl. accessories |