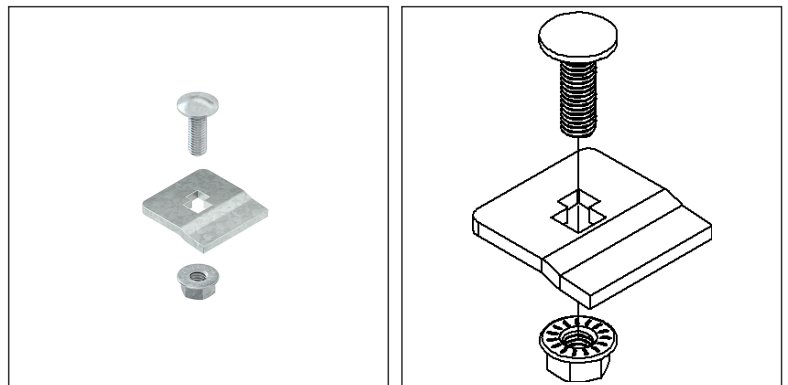


**Wide Span Cable Ladder Fastening**

**WSTB 2 E3**

EAN Code: 4013339726424  
 Smallest packaging unit: 50 pcs.

the photorealistic images are to be considered as reference images



**Article Description**

Wide span cable ladder fastening, stainless steel, material code: 1.4301, AISI 304, incl. accessories

**Incl. accessories**

1 FLDM 8X25 E3

**Additional Price Information**

Article group	N13
quantity unit	pcs.

**Weight**

Weight per quantity unit	76 g / pcs.
Weight in kg per 100	7,56 kg / 100pcs.

# Technical Datasheet

## Long Span Cable Ladder

WSTB 2 E3

the photorealistic images are to be considered as reference images

### Physical Article Dimensions

Height	20.00 mm
Width	40.00 mm
Depth/length	40.00 mm

### Packing Dimension

<b>50 pieces = 1 carton</b>		✓ VP1-smallest packaging unit ( PU)		✓ VP1-preferred PU	
Lenght	210 mm	Width	150.00 mm	Height	100.00 mm
Gross weight	3,97 kg	Volume	0,003 m <sup>3</sup>		
Min. quantity	50.00 pcs.	Max. Quantity	50.00 pcs.		
<b>3250 pieces = 1</b>					
Lenght	750 mm	Width	750 mm	Height	730 mm
Gross weight	298 kg	Volume	0,411 m <sup>3</sup>		
Min. Quantity	3.250.00 pcs.	Max. Quantity	3.250.00 pcs.		

### Tender Text

Wide span cable ladder fastening, for fastening wide span cable ladders on wall brackets, including fastening accessories made of stainless steel, material no. 1.4301, AISI 304.  
Used for: wall bracket KTAS...E3  
Material : stainless steel, material no. 1.4301, AISI 304  
NIEDAX model no.: WSTB 2 E3  
EP material\_\_\_\_\_ EP wage\_\_\_\_\_  
Unit price/piece

### Safety & Environment

REACH Date	25.06.2025
REACH Info	Conformable
RoHS Info	Conformable

### Origin & International Trade

Country of origin	DE
Customs tariff number	73089059