

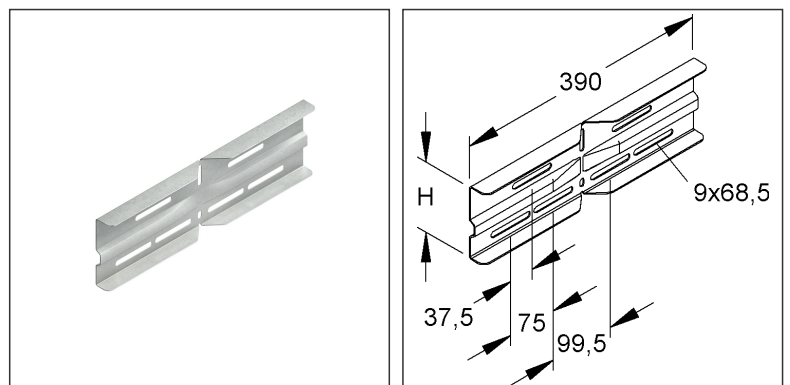
Angle Connector

horizontal

WSWV 105.390 E3

EAN Code: 4013339725458
Smallest packaging unit: 10 pcs.

the photorealistic images are to be considered as reference images



Article Description

Angle connector, horizontal, 106,5x390 mm, stainless steel, material code: 1.4301, AISI 304, incl. accessories

Incl. accessories

6 FLM 8X16 E3

Additional Price Information

Article group	N13
quantity unit	pcs.

Weight

Weight per quantity unit	824 g / pcs.
Weight in kg per 100	82 kg / 100pcs.

Technical Datasheet

Long Span Cable Tray

WSWV 105.390 E3

the photorealistic images are to be considered as reference images

Physical Article Dimensions

Height	109.50 mm
Width	30.00 mm
Depth/length	390 mm

Packing Dimension

10 pieces = 1 carton		✓ VP1-smallest packaging unit (PU)		✓ VP1-preferred PU	
Lenght	425 mm	Width	185.00 mm	Height	120.00 mm
Gross weight	8,68 kg	Volume	0,009 m ³		
Min. quantity	10.00 pcs.	Max. Quantity	10.00 pcs.		

600 pieces = 1 pallet					
Lenght	1200 mm	Width	800 mm	Height	1000 mm
Gross weight	536 kg	Volume	0,960 m ³		
Min. Quantity	600.00 pcs.	Max. Quantity	600.00 pcs.		

Tender Text

Angle connector, horizontal, for creating horizontal angle connections of continuous wide span cable trays/ladders, including proportionate fastening accessories made of stainless steel. The equipotential is achieved by bolting to the wide span cable trays/ladder beams as well as the fitting beams.
 Used for : wide span cable trays/ladders and their fittings with 105 mm edge height
 Requirement : 2 pieces per joint
 Dimensions (approx. dimensions)
 Height H (clear inner dimension) x width W : 106.5 x 390 mm
 Material : stainless steel, material no. 1.4301, AISI 304
 NIEDAX Model no. : WSWV 105.390 E3
 EP Material_____ EP Wage_____
 Unit price/piece

Safety & Environment

REACH Date	25.06.2025
REACH Info	Conformable
RoHS Info	Conformable

Origin & International Trade

Country of origin	DE
Customs tariff number	73089059