

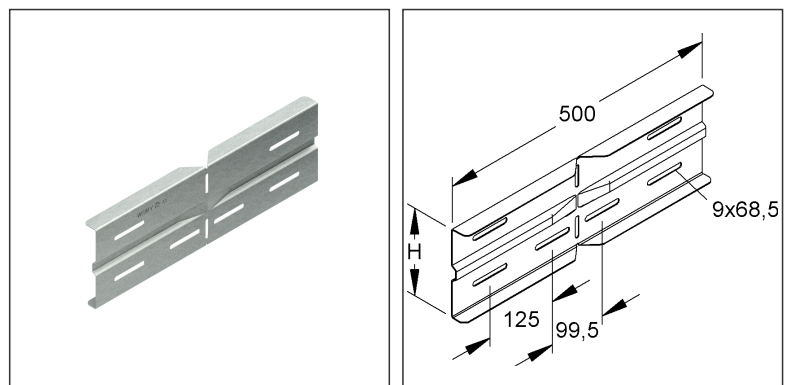
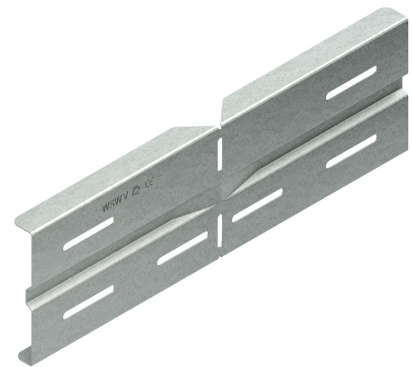
Angle Connector

horizontal

WSWV 150

EAN Code: 4013339305407
Smallest packaging unit: 10 pcs.

the photorealistic images are to be considered as reference images



Article Description

Angle connector, horizontal, 151,5x500 mm, steel, pre-galvanised according to DIN EN 10346, incl. accessories

Incl. accessories

6 FLM 8X13 F

Additional Price Information

Article group	N13
quantity unit	pcs.

Weight

Weight per quantity unit	1,288 kg / pcs.
Weight in kg per 100	129 kg / 100pcs.

Technical Datasheet

Long Span Cable Tray

WSWV 150

the photorealistic images are to be considered as reference images

Physical Article Dimensions

Height	154.50 mm
Width	30.00 mm
Depth/length	500 mm

Packing Dimension

10 pieces = 1 carton		✓ VP1-smallest packaging unit (PU)		✓ VP1-preferred PU	
Lenght	550 mm	Width	185.00 mm	Height	140.00 mm
Gross weight	13 kg	Volume	0,014 m ³		
Min. quantity	10.00 pcs.	Max. Quantity	10.00 pcs.		

400 pieces = 1 pallet					
Lenght	1200 mm	Width	800 mm	Height	1000 mm
Gross weight	553 kg	Volume	0,960 m ³		
Min. Quantity	400.00 pcs.	Max. Quantity	400.00 pcs.		

Tender Text

Angle connector, horizontal, for creating horizontal angle connections of continuous wide span cable trays/ladders, including proportional fastening accessories in hot-dip galvanised. The equipotential bonding is achieved by bolting to the wide span cable tray/ladder beams as well as the fitting beams. Used for : wide span cable trays/ladders and their fittings with 150 mm edge height

Requirement : 2 pieces per joint

Dimensions (approx. dimensions)

Height H x width W : 151.5 x 500 mm

Material : steel, pre- galvanised acc. to DIN EN 10346

NIEDAX Model No. : WSWV 150

EP Material_____ EP Wage_____

Unit price/piece

Safety & Environment

REACH Date	25.06.2025
REACH Info	Conformable
RoHS Info	Conformable

Origin & International Trade

Country of origin	DE
Customs tariff number	73089059