

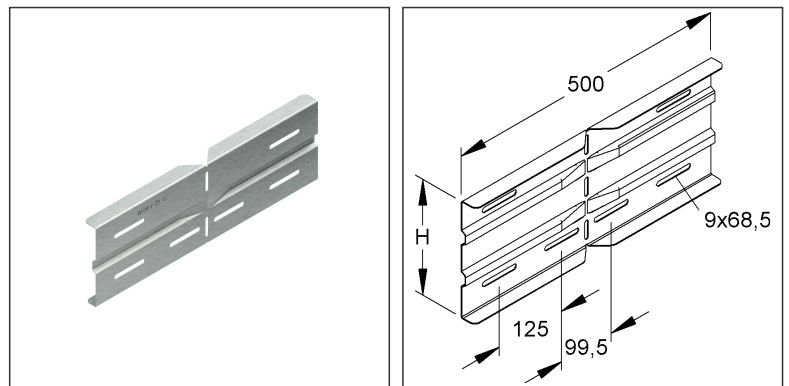
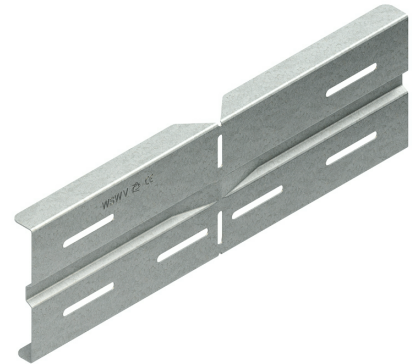
Angle Connector

horizontal

WSWV 200 F

EAN Code: 4013339595907
 Smallest packaging unit:8 pcs.

the photorealistic images are to be considered as reference images



Article Description

Angle connector, horizontal, 201,5x500 mm, steel, hot dip galvanised DIN EN ISO 1461, incl. accessories

Incl. accessories

6 FLM 8X13 F

Additional Price Information

Article group	N13
quantity unit	pcs.

Weight

Weight per quantity unit	1,784 kg/ pcs.
Weight in kg per 100	178 kg/ 100pcs.

Technical Datasheet

Long Span Cable Tray

WSWV 200 F

the photorealistic images are to be considered as reference images

Physical Article Dimensions

Height	204 mm
Width	30.00 mm
Depth/length	500 mm

Packing Dimension

8 pieces = 1 carton		✓ VP1-smallest packaging unit (PU)		✓ VP1-preferred PU	
Lenght	550 mm	Width	185.00 mm	Height	140.00 mm
Gross weight	15 kg	Volume	0,014 m ³		
Min. quantity	8.00 pcs.	Max. Quantity	8.00 pcs.		

256 pieces = 1 pallet					
Lenght	1200 mm	Width	800 mm	Height	1000 mm
Gross weight	490 kg	Volume	0,960 m ³		
Min. Quantity	256.00 pcs.	Max. Quantity	256.00 pcs.		

Tender Text

Angle connector, horizontal, for making horizontal angle connections of continuous wide span cable trays/ladders, including hot-dip galvanised proportional fixing accessories. Potential equalisation is achieved by bolting to the wide span cable tray/conductor rails and the shaped section rails. Used for : wide span cable trays/ladders and their fittings with 200 mm edge height

Requirement : 2 pieces per joint

Dimensions (approx. dimensions)

Height H (clear inner dimension) x width W : 201.5 x 500 mm

Material : steel, hot-dip galvanised acc. to DIN EN ISO 1461

NIEDAX Model No. : WSWV 200 F

EP Material _____ EP Wage _____

Unit price/piece

Safety & Environment

REACH Date	25.06.2025
REACH Info	Conformable
RoHS Info	Conformable

Origin & International Trade

Country of origin	DE
Customs tariff number	73089059