

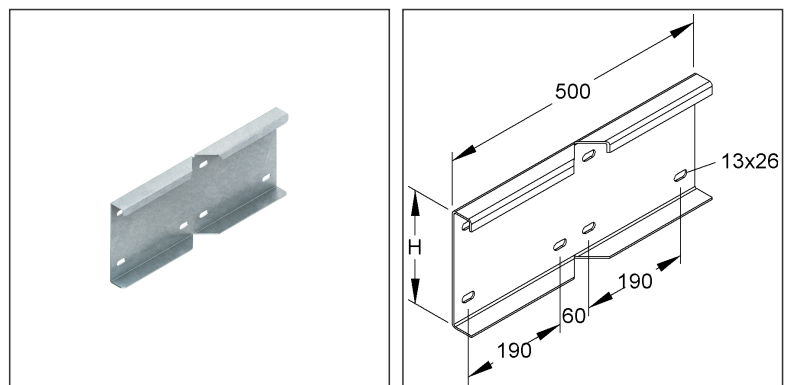
Angle Connector

horizontal

WSWVS 200

EAN Code: 4013339308705
 Smallest packaging unit: 1 pc.

the photorealistic images are to be considered as reference images



Article Description

Angle connector, heavy, horizontal, 201,5x500 mm, steel, hot dip galvanised DIN EN ISO 1461, incl. accessories

Incl. accessories

1 piece = 1 piece	✓ lowest delivery unit	- preferred delivery unit
Model No.	Description	quantity
FLM 12X30 F	Mushroom-head bolt M12, similar DIN 603, length 30 mm, steel, hot dip galvanised DIN EN ISO 1461	8 pcs.

Additional Price Information

Article group	N13
quantity unit	pcs.

Technical Datasheet

Long Span Cable Tray

WSWVS 200

the photorealistic images are to be considered as reference images

Weight

Weight per quantity unit	4,270 kg/ pcs.
Weight in kg per 100	427 kg/ 100pcs.

Physical Article Dimensions

Height	209 mm
Width	39.00 mm
Depth/length	500 mm

Packing Dimension

1 piece = 1 piece		✓ VP1-smallest packaging unit (PU)			
Lenght	500 mm	Width	39.00 mm	Height	209 mm
Gross weight	4,27 kg	Volume	0,004 m ³		
Min. quantity	1.00 pcs.	Max. Quantity	1.00 pcs.		

Tender Text

Angle connector, horizontal, for creating horizontal angle connections of continuous wide span cable trays/ladders, including hot-dip galvanised proportional fastening accessories. Potential equalisation is achieved by bolting to the wide span cable tray/ladder beams as well as to the fitting beams. Used for : WSLs... wide span cable ladders and their fittings with 200 mm edge height
Requirement : 2 pieces per joint
Dimensions (approx. dimensions)
Height H (clear inner dimension) x width W : 203 x 500 mm
Material : steel, hot-dip galvanised acc. to DIN EN ISO 1461
NIEDAX Model No. : WSWVS 200
EP Material_____ EP Lohn_____
Unit price/piece

Safety & Environment

REACH Date	25.06.2025
REACH Info	Conformable
RoHS Info	Conformable

Origin & International Trade

Country of origin	DE
Customs tariff number	73089059