

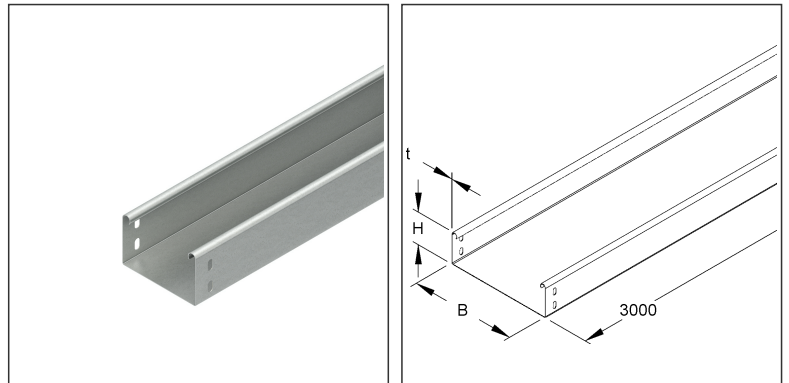
Cable Tray

unperforated, but with connector perforations

RLU 60.100 E3

EAN Code: 4013339331604
Smallest packaging unit: 2 x 3 m
quantity unit: m M

the photorealistic images are to be considered as reference images



Article Description

Cable tray, 60x100x3000 mm, unperforated, stainless steel, material code: 1.4301, AISI 304, incl. accessories

Technical Datasheet

Cable Tray System

RLU 60.100 E3

the photorealistic images are to be considered as reference images

Incl. accessories

3 meter = 1 piece		- lowest delivery unit	- preferred delivery unit
Model No.	Description	quantity	
1-FLM 6X12 E3	Mushroom-head bolt M6, similar DIN 603, length 12 mm, stainless steel, material code: 1.4301, AISI 304	8 pcs.	
1-RV 60.100 E3	Splice plate, single, U-shaped, 49x96 mm, stainless steel, material code: 1.4301, AISI 304, incl. accessories	1 pcs.	
6 meter = 1 bundle		✓ lowest delivery unit	✓ preferred delivery unit
Model No.	Description	quantity	
FLM 6X12 E3	Mushroom-head bolt M6, similar DIN 603, length 12 mm, stainless steel, material code: 1.4301, AISI 304	16 pcs.	
RV 60.100 E3	Splice plate, single, U-shaped, 49x96 mm, stainless steel, material code: 1.4301, AISI 304, incl. accessories	2 pcs.	
720 meter = 1 rack		- lowest delivery unit	- preferred delivery unit
Model No.	Description	quantity	
FLM 6X12 E3	Mushroom-head bolt M6, similar DIN 603, length 12 mm, stainless steel, material code: 1.4301, AISI 304	1.920 pcs.	
RV 60.100 E3	Splice plate, single, U-shaped, 49x96 mm, stainless steel, material code: 1.4301, AISI 304, incl. accessories	240 pcs.	

Additional Price Information

Article group	N13
quantity unit	m

Weight

Weight per quantity unit	1,612 kg / m
Weight in kg per 100	161 kg / 100m

Physical Article Dimensions

Height	60.00 mm
Width	100.00 mm
Depth/length	3000 mm

Technical Datasheet

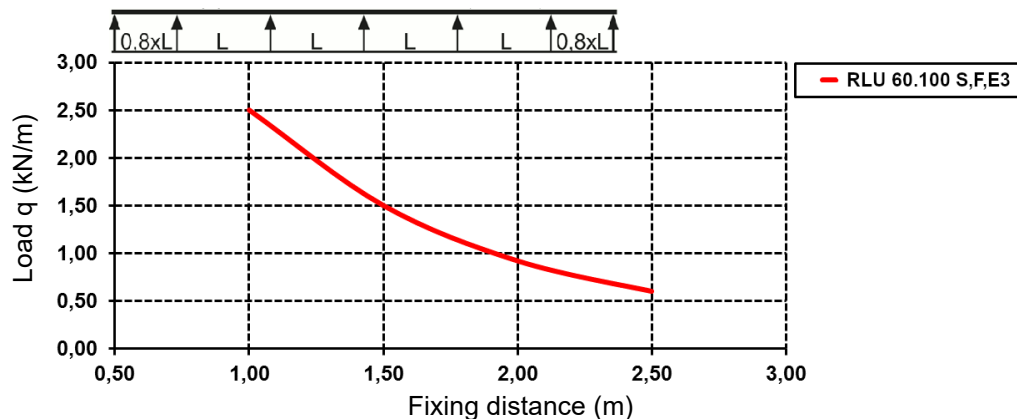
Cable Tray System

RLU 60.100 E3

the photorealistic images are to be considered as reference images

Load Specifications

Load diagram: q = evenly distributed cable load (tested acc. to DIN EN IEC 61537)



Packing Dimension

6 meters = 1 bundle

✓ VP1-smallest packaging unit (PU) ✓ VP1-preferred PU

Lenght	3000 mm	Width	105.00 mm	Height	65.00 mm
Gross weight	9,67 kg	Volume	0,020 m ³		
Min. quantity	6.00 m	Max. Quantity	6.00 m		

720 meters = 1 rack

Lenght	3000 mm	Width	1162 mm	Height	1120 mm
Gross weight	1259 kg	Volume	3,904 m ³		
Min. Quantity	720.00 m	Max. Quantity	720.00 m		

Tender Text

Cable tray, acc. to DIN EN 61537, with unperforated side beams, with connector perforation for connection, including one-piece U-shaped splice plate RV 60... and proportional fastening accessories made of stainless steel.

Dimensions (approx. dimensions)

Height H x Width W : 60 x 100 mm

Material thickness : 0.8 mm

Delivery length : 3000 mm

Usable cross-section : 5800 mm²

Material : stainless steel, material no. 1.4301, AISI 304

NIEDAX Model No. : RLU 60.100 E3

EP Material _____ EP Wage _____

Unit price/meter

Safety & Environment

REACH Date	25.06.2025
REACH Info	Conformable
RoHS Info	Conformable

Technical Datasheet

Cable Tray System

RLU 60.100 E3

the photorealistic images are to be considered as reference images

Origin & International Trade

Country of origin	DE
Customs tariff number	73089059

Related items

Cover

Model No.	Description
RD 100 E3	Cover for cable tray/-ladder, with joint strip, 102x3000 mm, stainless steel, material code: 1.4301, AISI 304
RDHF 9 E2	Cover clamp, stainless steel, material code: 1.4310
RDHK 60 E2	Cover retaining clamp, height 58 mm, stainless steel, material code: 1.4310
RDRS 9 E3	Turning bolt with locking nut acc. to DIN EN ISO 10511, stainless steel, material code: 1.4301, AISI 304, incl. accessories
RDV 100 E3	Cover for cable tray/-ladder, with joint strip, 102x3000 mm, stainless steel, material code: 1.4301, AISI 304

Barrier strip

Model No.	Description
RW 50 E3	Barrier strip, 47x3000 mm, t=0,8 mm, stainless steel, material code: 1.4301, AISI 304, incl. accessories
RW 60 E3	Barrier strip, 55x3000 mm, t=0,8 mm, stainless steel, material code: 1.4301, AISI 304, incl. accessories