

### Cable Tray

unperforated, but with connector perforations

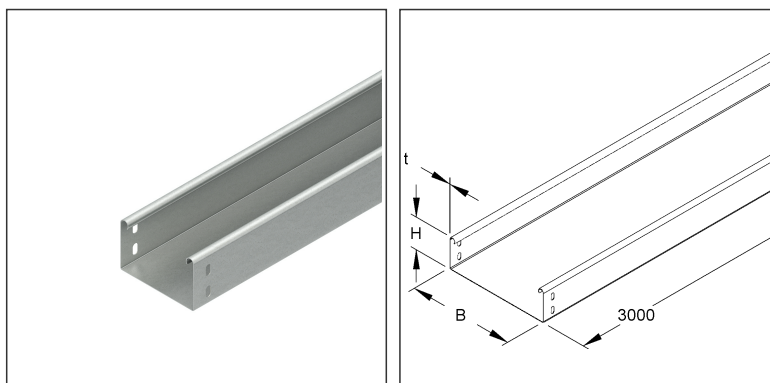
### RLU 60.200 E3

EAN Code: 4013339331703

Smallest packaging unit: 2 x 3 m

quantity unit: m M

the photorealistic images are to be considered as reference images



### Article Description

Cable tray, 60x200x3000 mm, unperforated, stainless steel, material code: 1.4301, AISI 304, incl. accessories

# Technical Datasheet

## Cable Tray System

RLU 60.200 E3

the photorealistic images are to be considered as reference images

### Incl. accessories

3 meter = 1 piece		- lowest delivery unit	- preferred delivery unit
Model No.	Description	quantity	
1-FLM 6X12 E3	Mushroom-head bolt M6, similar DIN 603, length 12 mm, stainless steel, material code: 1.4301, AISI 304	10 pcs.	
1-RV 60.200 E3	Splice plate, single, U-shaped, 49x196 mm, stainless steel, material code: 1.4301, AISI 304, incl. accessories	1 pcs.	
6 meter = 1 bundle		✓ lowest delivery unit	✓ preferred delivery unit
Model No.	Description	quantity	
FLM 6X12 E3	Mushroom-head bolt M6, similar DIN 603, length 12 mm, stainless steel, material code: 1.4301, AISI 304	20 pcs.	
RV 60.200 E3	Splice plate, single, U-shaped, 49x196 mm, stainless steel, material code: 1.4301, AISI 304, incl. accessories	2 pcs.	
360 meter = 1 rack		- lowest delivery unit	- preferred delivery unit
Model No.	Description	quantity	
FLM 6X12 E3	Mushroom-head bolt M6, similar DIN 603, length 12 mm, stainless steel, material code: 1.4301, AISI 304	1.200 pcs.	
RV 60.200 E3	Splice plate, single, U-shaped, 49x196 mm, stainless steel, material code: 1.4301, AISI 304, incl. accessories	120 pcs.	

### Additional Price Information

Article group	N13
quantity unit	m

### Weight

Weight per quantity unit	2,265 kg / m
Weight in kg per 100	226 kg / 100m

### Physical Article Dimensions

Height	60.00 mm
Width	200.00 mm
Depth/length	3000 mm

# Technical Datasheet

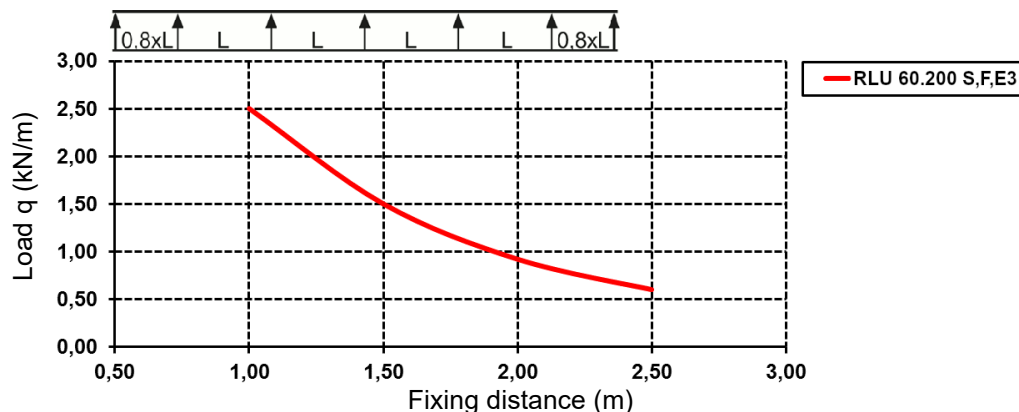
## Cable Tray System

### RLU 60.200 E3

the photorealistic images are to be considered as reference images

#### Load Specifications

Load diagram:  $q$  = evenly distributed cable load (tested acc. to DIN EN IEC 61537)



#### Packing Dimension

**6 meters = 1 bundle**

✓ VP1-smallest packaging unit ( PU) ✓ VP1-preferred PU

Lenght	3000 mm	Width	205 mm	Height	65.00 mm
Gross weight	14 kg	Volume	0,040 m <sup>3</sup>		
Min. quantity	6.00 m	Max. Quantity	6.00 m		

**360 meters = 1 rack**

Lenght	3000 mm	Width	1162 mm	Height	1120 mm
Gross weight	913 kg	Volume	3,904 m <sup>3</sup>		
Min. Quantity	360.00 m	Max. Quantity	360.00 m		

#### Tender Text

Cable tray, acc. to DIN EN 61537, with unperforated side beams, with connector perforation for connection, including one-piece U-shaped splice plate RV 60... and proportional fastening accessories made of stainless steel.

Dimensions (approx. dimensions)

Height H x Width W : 60 x 200 mm

Material thickness : 0.8 mm

Delivery length : 3000 mm

Usable cross-section : 11800 mm<sup>2</sup>

Material : stainless steel, material no. 1.4301, AISI 304

NIEDAX Model No. : RLU 60.200 E3

EP Material \_\_\_\_\_ EP Wage \_\_\_\_\_

Unit price/meter

#### Safety & Environment

REACH Date	25.06.2025
REACH Info	Conformable
RoHS Info	Conformable

# Technical Datasheet

## Cable Tray System

RLU 60.200 E3

the photorealistic images are to be considered as reference images

### Origin & International Trade

Country of origin	DE
Customs tariff number	73089059

### Related items

#### Cover

Model No.	Description
RD 200 E3	Cover for cable tray/-ladder, with joint strip, 202x3000 mm, stainless steel, material code: 1.4301, AISI 304
RDHF 9 E2	Cover clamp, stainless steel, material code: 1.4310
RDHK 60 E2	Cover retaining clamp, height 58 mm, stainless steel, material code: 1.4310
RDRS 9 E3	Turning bolt with locking nut acc. to DIN EN ISO 10511, stainless steel, material code: 1.4301, AISI 304, incl. accessories
RDV 200 E3	Cover for cable tray/-ladder, with joint strip, 202x3000 mm, stainless steel, material code: 1.4301, AISI 304

#### Barrier strip

Model No.	Description
RW 50 E3	Barrier strip, 47x3000 mm, t=0,8 mm, stainless steel, material code: 1.4301, AISI 304, incl. accessories
RW 60 E3	Barrier strip, 55x3000 mm, t=0,8 mm, stainless steel, material code: 1.4301, AISI 304, incl. accessories