

### Cable Tray

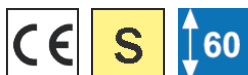
perforated

RL 60.200

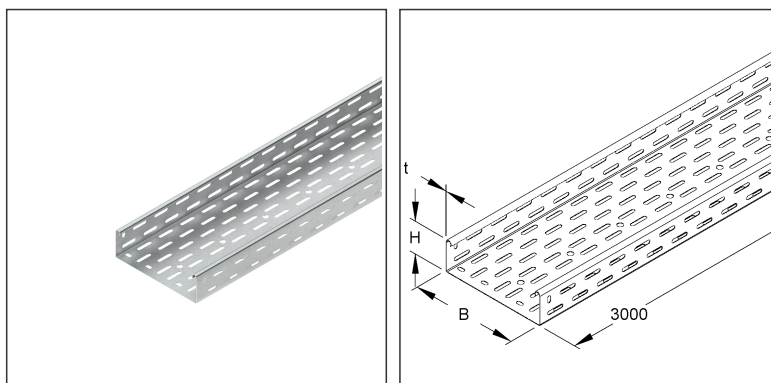
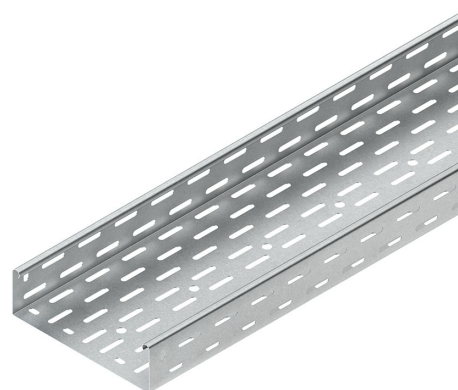
EAN Code: 4013339219803

Smallest packaging unit: 2 x 3 m

quantity unit: m M



the photorealistic images are to be considered as reference images



### Article Description

Cable tray, 60x200x3000 mm, perforated, steel, pre-galvanised according to DIN EN 10346, incl. accessories

# Technical Datasheet

## Cable Tray System

RL 60.200

the photorealistic images are to be considered as reference images

### Incl. accessories

3 meter = 1 piece		- lowest delivery unit	- preferred delivery unit
Model No.	Description	quantity	
1-FLM 6X12	Mushroom-head bolt M6, similar DIN 603, length 12 mm, steel, electro galvanised according to DIN EN ISO 2081/4042, blue pass	8 pcs.	
1-RV 60.200	Splice plate, single, U-shaped, 49x196 mm, steel, pre-galvanised according to DIN EN 10346, incl. accessories	1 pcs.	
6 meter = 1 bundle		✓ lowest delivery unit	✓ preferred delivery unit
Model No.	Description	quantity	
FLM 6X12	Mushroom-head bolt M6, similar DIN 603, length 12 mm, steel, electro galvanised according to DIN EN ISO 2081/4042, blue pass	16 pcs.	
RV 60.200	Splice plate, single, U-shaped, 49x196 mm, steel, pre-galvanised according to DIN EN 10346, incl. accessories	2 pcs.	
360 meter = 1 rack		- lowest delivery unit	- preferred delivery unit
Model No.	Description	quantity	
FLM 6X12	Mushroom-head bolt M6, similar DIN 603, length 12 mm, steel, electro galvanised according to DIN EN ISO 2081/4042, blue pass	960 pcs.	
RV 60.200	Splice plate, single, U-shaped, 49x196 mm, steel, pre-galvanised according to DIN EN 10346, incl. accessories	120 pcs.	

### Additional Price Information

Article group	N13
quantity unit	m

### Weight

Weight per quantity unit	2,161 kg / m
Weight in kg per 100	216 kg / 100m

### Physical Article Dimensions

Height	60.00 mm
Width	200.00 mm
Depth/length	3000 mm

# Technical Datasheet

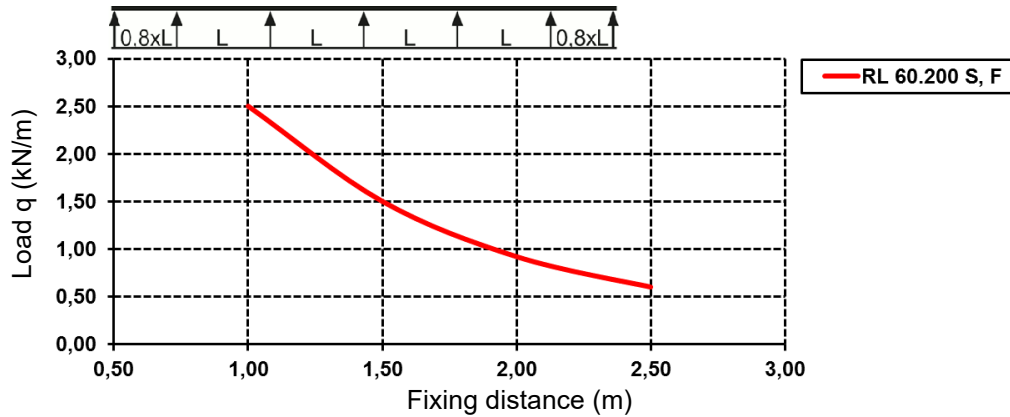
## Cable Tray System

RL 60.200

the photorealistic images are to be considered as reference images

### Load Specifications

Load diagram:  $q$  = evenly distributed cable load (tested acc. to DIN EN IEC 61537)



### Packing Dimension

**6 meters = 1 bundle**

✓ VP1-smallest packaging unit ( PU) ✓ VP1-preferred PU

Lenght	3000 mm	Width	205 mm	Height	65.00 mm
Gross weight	13 kg	Volume	0,040 m <sup>3</sup>		
Min. quantity	6.00 m	Max. Quantity	6.00 m		

**360 meters = 1 rack**

Lenght	3000 mm	Width	1162 mm	Height	1120 mm
Gross weight	876 kg	Volume	3,904 m <sup>3</sup>		
Min. Quantity	360.00 m	Max. Quantity	360.00 m		

### Tender Text

Cable tray, acc. to DIN EN 61537, with offset bottom and side perforations, continuous central perforation for suspension with threaded rods M 10/..., including one-piece U-shaped splice plate RV 60... and proportional fastening accessories.

Dimensions (approx. dimensions) H x W : 60 x 200 mm

Material thickness : 0.9 mm

Centre hole : Ø 11 mm

Delivery length : 3000 mm

Usable cross section : 11800 mm<sup>2</sup>

Material : steel, pre-galvanised acc. to DIN EN 10346

NIEDAX Model No. : RL 60.200

EP material \_\_\_\_\_ EP wage \_\_\_\_\_

Unit price/meter

### Safety & Environment

REACH Date	25.06.2025
REACH Info	Conformable
RoHS Info	Conformable

# Technical Datasheet

## Cable Tray System

RL 60.200

the photorealistic images are to be considered as reference images

### Origin & International Trade

Country of origin	DE
Customs tariff number	73089059

### Related items

#### Cover

Model No.	Description
RD 200	Cover for cable tray/-ladder, with joint strip, 202x3000 mm, steel, pre-galvanised according to DIN EN 10346
RDHF 9 E2	Cover clamp, stainless steel, material code: 1.4310
RDHK 60 E2	Cover retaining clamp, height 58 mm, stainless steel, material code: 1.4310
RDRS 9	Turning bolt with locking nut acc. to DIN EN ISO 10511, steel, pre-galvanised according to DIN EN 10346, incl. accessories
RDV 200	Cover for cable tray/-ladder, with joint strip, 202x3000 mm, steel, pre-galvanised according to DIN EN 10346

#### Barrier strip

Model No.	Description
RW 50	Barrier strip, 47x3000 mm, t=0,75 mm, steel, pre-galvanised according to DIN EN 10346, incl. accessories
RW 60	Barrier strip, 55x3000 mm, t=0,75 mm, steel, pre-galvanised according to DIN EN 10346, incl. accessories