

Cable Tray

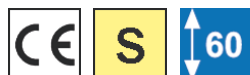
perforated

RL 60.500

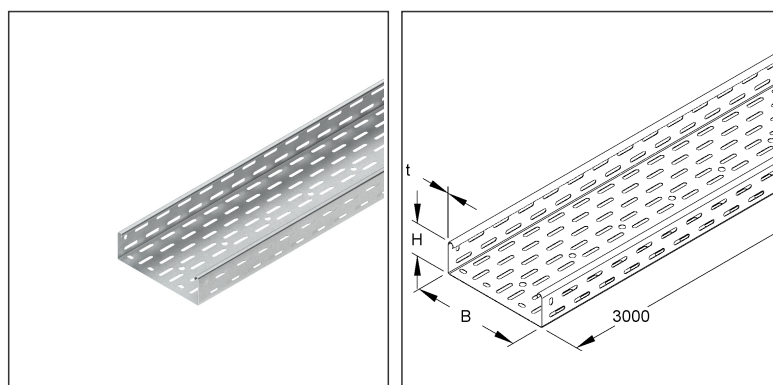
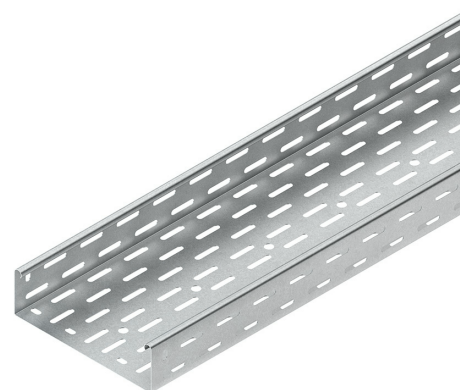
EAN Code: 4013339220809

Smallest packaging unit: 2 x 3 m

quantity unit: m M



the photorealistic images are to be considered as reference images



Article Description

Cable tray, 60x500x3000 mm, perforated, steel, pre-galvanised according to DIN EN 10346, incl. accessories

Technical Datasheet

Cable Tray System

RL 60.500

the photorealistic images are to be considered as reference images

Incl. accessories

| 3 meter = 1 piece | | - lowest delivery unit | - preferred delivery unit |
|--------------------|--|------------------------|---------------------------|
| Model No. | Description | quantity | |
| 1-FLM 6X12 | Mushroom-head bolt M6, similar DIN 603, length 12 mm, steel, electro galvanised according to DIN EN ISO 2081/4042, blue pass | 12 pcs. | |
| 1-RV 60.500 | Splice plate, single, U-shaped, 49x496 mm, steel, pre-galvanised according to DIN EN 10346, incl. accessories | 1 pcs. | |
| 6 meter = 1 bundle | | ✓ lowest delivery unit | ✓ preferred delivery unit |
| Model No. | Description | quantity | |
| FLM 6X12 | Mushroom-head bolt M6, similar DIN 603, length 12 mm, steel, electro galvanised according to DIN EN ISO 2081/4042, blue pass | 24 pcs. | |
| RV 60.500 | Splice plate, single, U-shaped, 49x496 mm, steel, pre-galvanised according to DIN EN 10346, incl. accessories | 2 pcs. | |
| 132 meter = 1 rack | | - lowest delivery unit | - preferred delivery unit |
| Model No. | Description | quantity | |
| FLM 6X12 | Mushroom-head bolt M6, similar DIN 603, length 12 mm, steel, electro galvanised according to DIN EN ISO 2081/4042, blue pass | 528 pcs. | |
| RV 60.500 | Splice plate, single, U-shaped, 49x496 mm, steel, pre-galvanised according to DIN EN 10346, incl. accessories | 44 pcs. | |

Additional Price Information

| | |
|---------------|-----|
| Article group | N13 |
| quantity unit | m |

Weight

| | |
|--------------------------|---------------|
| Weight per quantity unit | 4,424 kg / m |
| Weight in kg per 100 | 442 kg / 100m |

Physical Article Dimensions

| | |
|--------------|----------|
| Height | 60.00 mm |
| Width | 500 mm |
| Depth/length | 3000 mm |

Technical Datasheet

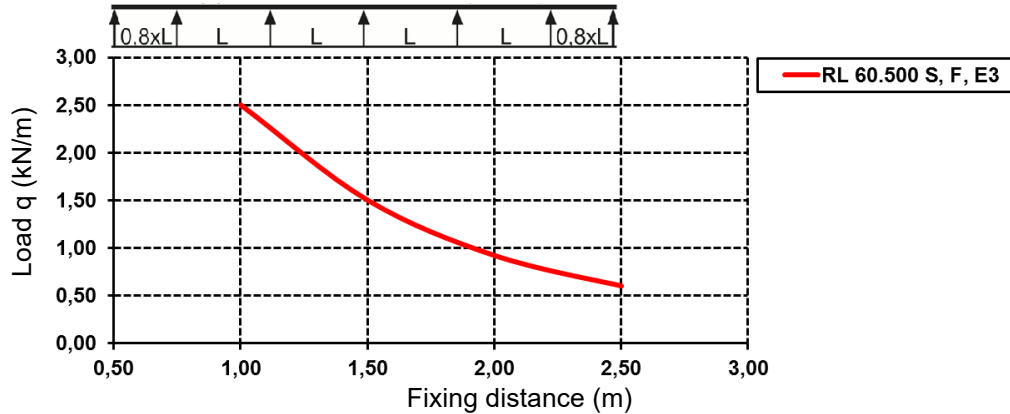
Cable Tray System

RL 60.500

the photorealistic images are to be considered as reference images

Load Specifications

Load diagram: q = evenly distributed cable load (tested acc. to DIN EN IEC 61537)



Packing Dimension

| | | | |
|----------------------------|---------|-------------------------------------|----------------------|
| 6 meters = 1 bundle | | ✓ VP1-smallest packaging unit (PU) | ✓ VP1-preferred PU |
| Lenght | 3000 mm | Width | 505 mm |
| Gross weight | 27 kg | Volume | 0,098 m ³ |
| Min. quantity | 6.00 m | Max. Quantity | 6.00 m |
| 132 meters = 1 rack | | Height | 65.00 mm |

| | | | | | |
|---------------|----------|---------------|----------------------|--------|---------|
| Lenght | 3000 mm | Width | 1162 mm | Height | 1120 mm |
| Gross weight | 682 kg | Volume | 3,904 m ³ | | |
| Min. Quantity | 132.00 m | Max. Quantity | 132.00 m | | |

Tender Text

Cable tray, acc. to DIN EN 61537, with offset bottom and side perforations, continuous central perforation for suspension with threaded rods M 10/..., including one-piece U-shaped splice plate RV 60... and proportional fastening accessories.

Dimensions (approx. dimensions) H x W : 60 x 500 mm

Material thickness : 1 mm

Centre hole : Ø 11 mm

Delivery length : 3000 mm

Usable cross section : 29800 mm²

Material : steel, pre-galvanised acc. to DIN EN 10346

NIEDAX Model No. : RL 60.500

EP material _____ EP wage _____

Unit price/meter

Safety & Environment

| | |
|------------|-------------|
| REACH Date | 25.06.2025 |
| REACH Info | Conformable |
| RoHS Info | Conformable |

Technical Datasheet

Cable Tray System

RL 60.500

the photorealistic images are to be considered as reference images

Origin & International Trade

| | |
|-----------------------|----------|
| Country of origin | DE |
| Customs tariff number | 73089059 |

Related items

Cover

| Model No. | Description |
|------------|--|
| RD 500 | Cover for cable tray/-ladder, with joint strip, 502x3000 mm, steel, pre-galvanised according to DIN EN 10346 |
| RDHF 9 E2 | Cover clamp, stainless steel, material code: 1.4310 |
| RDHK 60 E2 | Cover retaining clamp, height 58 mm, stainless steel, material code: 1.4310 |
| RDRS 9 | Turning bolt with locking nut acc. to DIN EN ISO 10511, steel, pre-galvanised according to DIN EN 10346, incl. accessories |
| RDV 500 | Cover for cable tray/-ladder, with joint strip, 502x3000 mm, steel, pre-galvanised according to DIN EN 10346 |

Barrier strip

| Model No. | Description |
|-----------|--|
| RW 50 | Barrier strip, 47x3000 mm, t=0,75 mm, steel, pre-galvanised according to DIN EN 10346, incl. accessories |
| RW 60 | Barrier strip, 55x3000 mm, t=0,75 mm, steel, pre-galvanised according to DIN EN 10346, incl. accessories |