

Cover for Cable Tray/-Ladder

with joint strip and pre-assembled twist-lock fasteners

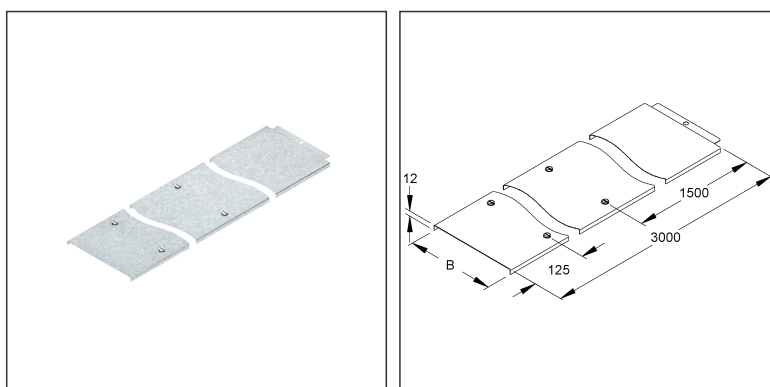
RDV 70

EAN Code: 4013339261253

Smallest packaging unit: 2 x 3 m

quantity unit: m M

the photorealistic images are to be considered as reference images



Article Description

Cover for cable tray/-ladder, with joint strip, 72x3000 mm, steel, pre-galvanised according to DIN EN 10346

Additional Price Information

Article group	N13
quantity unit	m

Weight

Weight per quantity unit	564 g / m
Weight in kg per 100	56 kg / 100m

Physical Article Dimensions

Height	15.50 mm
Width	73.50 mm
Depth/length	3020 mm

Technical Datasheet

Cable Tray System

RDV 70

the photorealistic images are to be considered as reference images

Packing Dimension

6 meters = 1 bundle		✓ VP1-smallest packaging unit (PU)		✓ VP1-preferred PU	
Lenght	3020 mm	Width	79.00 mm	Height	21.00 mm
Gross weight	3,38 kg	Volume	0,005 m ³		
Min. quantity	6.00 m	Max. Quantity	6.00 m		

960 meters = 1 rack					
Lenght	3020 mm	Width	1162 mm	Height	1120 mm
Gross weight	639 kg	Volume	3,930 m ³		
Min. Quantity	960.00 m	Max. Quantity	960.00 m		

Tender Text

Cover for cable tray/ladder, with joint strip to reduce deflection at the cover joint, protection against penetration of dirt and increase stability with the adjacent cover, with captive premounted turning bolt fasteners. Due to external influences, such as wind loads, outdoor use is only possible with an additional protection (self-tapping screws, steel band etc.). For additional requirements, turning bolt RDRS 9 and cover retaining spring RDHF 9 E2 can be used.

Used for : cable tray

Dimensions (approx. dimension)

Width W (inside) : 72 mm

Delivery length L : 3000 mm

Material : steel, pre-galvanised to DIN EN 10346

NIEDAX Model No. : RDV 70

EP material _____ EP wage _____

Unit price/meter

Safety & Environment

REACH Date	25.06.2025
REACH Info	Conformable
RoHS Info	Conformable

Origin & International Trade

Country of origin	DE
Federal State of Origin	RP
Customs tarif number	73089059