

Elbow 45°

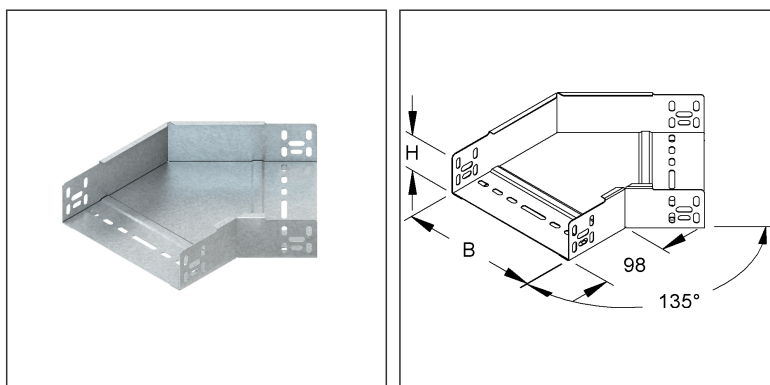
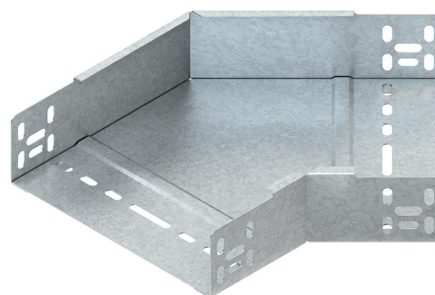
with unperforated side profiles, but with connector perforations, with integrated splice plates

RBA 60.100 F

EAN Code: 4013339535200

Smallest packaging unit: 1 pc.

the photorealistic images are to be considered as reference images



Article Description

Elbow 45° for cable tray, 60X102 mm, with unperforated side beams, steel, hot dip galvanised DIN EN ISO 1461, incl. accessories

Incl. accessories

1 piece = 1 piece		✓ lowest delivery unit	- preferred delivery unit
Model No.	Description	quantity	
FLM 6X12 F	Mushroom-head bolt M6, similar DIN 603, length 12 mm, steel, hot dip galvanised DIN EN ISO 1461	4 pcs.	
200 piece = 1		- lowest delivery unit	- preferred delivery unit
Model No.	Description	quantity	
FLM 6X12 F	Mushroom-head bolt M6, similar DIN 603, length 12 mm, steel, hot dip galvanised DIN EN ISO 1461	800 pcs.	

Technical Datasheet

Cable Tray System

RBA 60.100 F

the photorealistic images are to be considered as reference images

Additional Price Information

Article group	N13
quantity unit	pcs.

Weight

Weight per quantity unit	473 g / pcs.
Weight in kg per 100	47 kg / 100pcs.

Physical Article Dimensions

Height	62.00 mm
Width	173.00 mm
Depth/length	241 mm

Packing Dimension

1 piece = 1 piece		✓ VP1-smallest packaging unit (PU)			
Lenght	241 mm	Width	173.00 mm	Height	62.00 mm
Gross weight	0,47 kg	Volume	0,003 m ³		
Min. quantity	1.00 pcs.	Max. Quantity	1.00 pcs.		

200 pieces = 1					
Lenght	1230 mm	Width	840 mm	Height	970 mm
Gross weight	164 kg	Volume	1,002 m ³		
Min. Quantity	200.00 pcs.	Max. Quantity	200.00 pcs.		

Tender Text

Elbow 45°, with unperforated side beams, with connector perforation for connection, for cable trays, for creating 45° horizontally angled cable tray runs, with integrated splice plates, including proportional fastening accessories in hot-dip galvanised.

VDE certified! Please observe additional regulations for use in functional maintenance!

for cable trays : 60 mm edge height

Dimensions (approx. dimensions) inside H x W : 60 x 102 mm

Material : steel, hot-dip galvanised acc. to DIN EN ISO 1461

NIEDAX Model No. : RBA 60.100 F

EP Material_____ EP Wage_____

Unit price/piece

Safety & Environment

REACH Date	25.06.2025
REACH Info	Conformable
RoHS Info	Conformable

Technical Datasheet

Cable Tray System

RBA 60.100 F

the photorealistic images are to be considered as reference images

Origin & International Trade

Country of origin	DE
Federal State of Origin	RP
Customs tariff number	73089059

Related items

Cover

Model No.	Description
RBAD 100 F	Cover for elbow 45° for cable tray, width 104 mm, steel, hot dip galvanised DIN EN ISO 1461
RBADV 100 F	Cover for elbow 45° for cable tray, width 104 mm, with turning bolt, steel, hot dip galvanised DIN EN ISO 1461
RDHK 60 E2	Cover retaining clamp, height 58 mm, stainless steel, material code: 1.4310
RDRS 2 E3	Turning bolt simply with locking nut acc. to DIN EN ISO 10511, stainless steel, material code: 1.4301, AISI 304, incl. accessories