

### Elbow 45°

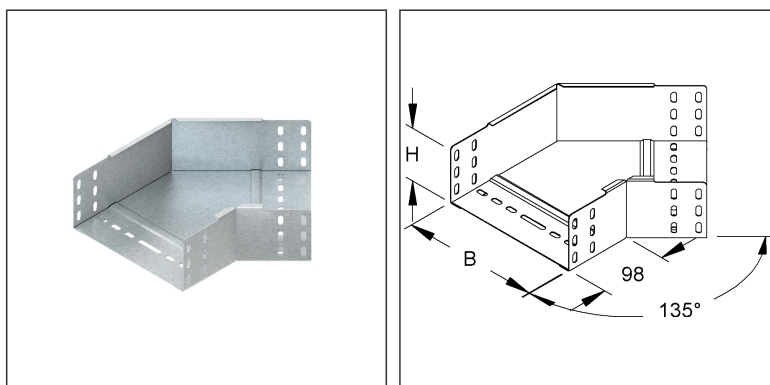
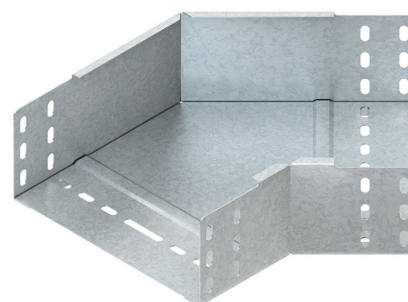
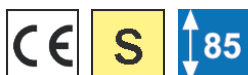
with unperforated side profiles, but with connector perforations, with integrated splice plates

### RBA 85.500

EAN Code: 4013339238200

Smallest packaging unit: 1 pc.

the photorealistic images are to be considered as reference images



### Article Description

Elbow 45° for cable tray, 85X502 mm, with unperforated side beams, steel, pre-galvanised according to DIN EN 10346, incl. accessories

### Incl. accessories

<b>1 piece = 1 piece</b>	✓ lowest delivery unit	- preferred delivery unit
Model No.	Description	quantity
FLM 6X12	Mushroom-head bolt M6, similar DIN 603, length 12 mm, steel, electro galvanised according to DIN EN ISO 2081/4042, blue pass	6 pcs.
<b>15 piece = 1</b>	- lowest delivery unit	- preferred delivery unit
Model No.	Description	quantity
FLM 6X12	Mushroom-head bolt M6, similar DIN 603, length 12 mm, steel, electro galvanised according to DIN EN ISO 2081/4042, blue pass	90 pcs.

# Technical Datasheet

## Cable Tray System

RBA 85.500

the photorealistic images are to be considered as reference images

### Additional Price Information

Article group	N13
quantity unit	pcs.

### Weight

Weight per quantity unit	2,221 kg/ pcs.
Weight in kg per 100	222 kg/ 100pcs.

### Physical Article Dimensions

Height	87.00 mm
Width	573 mm
Depth/length	523 mm

### Packing Dimension

<b>1 piece = 1 piece</b>		✓ VP1-smallest packaging unit ( PU)			
Lenght	523 mm	Width	573 mm	Height	87.00 mm
Gross weight	2,22 kg	Volume	0,026 m³		
Min. quantity	1.00 pcs.	Max. Quantity	1.00 pcs.		

<b>15 pieces = 1</b>					
Lenght	1230 mm	Width	840 mm	Height	970 mm
Gross weight	103 kg	Volume	1,002 m³		
Min. Quantity	15.00 pcs.	Max. Quantity	15.00 pcs.		

### Tender Text

Elbow 45°, with unperforated side beams, with connector perforation for the connection, for cable trays, for creating a 45° horizontally angled cable tray run, with integrated splice plates, including proportional fastening accessories. for cable trays : 85 mm edge height  
 Dimensions (approx. dimensions) inside H x W : 85 x 502 mm  
 Material : steel, pre-galvanised acc. to DIN EN 10346  
 NIEDAX Model No. : RBA 85.500  
 EP Material\_\_\_\_\_ EP Wage\_\_\_\_\_  
 Unit price/piece

### Safety & Environment

REACH Date	25.06.2025
REACH Info	Conformable
RoHS Info	Conformable

### Origin & International Trade

Country of origin	DE
Federal State of Origin	RP
Customs tariff number	73089059

# Technical Datasheet

## Cable Tray System

RBA 85.500

the photorealistic images are to be considered as reference images

### Related items

#### Cover

Model No.	Description
RBAD 500	Cover for elbow 45° for cable tray, width 504 mm, steel, pre-galvanised according to DIN EN 10346
RBADV 500	Cover for elbow 45° for cable tray, width 504 mm, with turning bolt, steel, pre-galvanised according to DIN EN 10346
RDRS 2	Turning bolt simply with locking nut acc. to DIN EN ISO 10511, steel, pre-galvanised according to DIN EN 10346, incl. accessories