

Cover for Elbow 45°

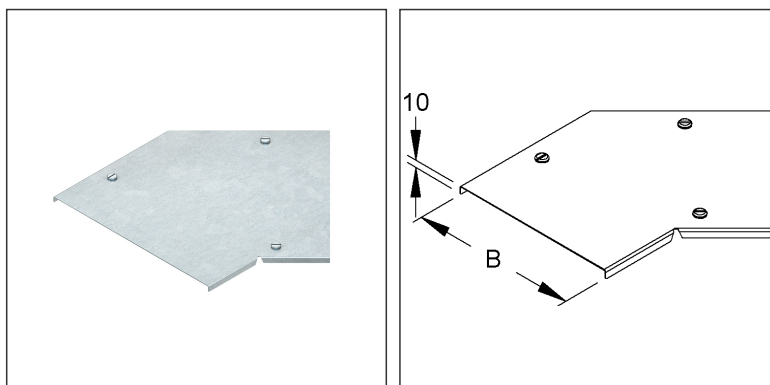
with pre-assembled turning lock fasteners

RBADV 300 F

EAN Code: 4013339555802

Smallest packaging unit: 1 pc.

the photorealistic images are to be considered as reference images



Article Description

Cover for elbow 45° for cable tray, width 304 mm, with turning bolt, steel, hot dip galvanised DIN EN ISO 1461

Additional Price Information

Article group	N13
quantity unit	pcs.

Weight

Weight per quantity unit	937 g/ pcs.
Weight in kg per 100	94 kg/ 100pcs.

Physical Article Dimensions

Height	13.30 mm
Width	376 mm
Depth/length	385 mm

Technical Datasheet

Cable Tray System

RBADV 300 F

the photorealistic images are to be considered as reference images

Packing Dimension

1 piece = 1 piece		✓ VP1-smallest packaging unit (PU)			
Lenght	386 mm	Width	376 mm	Height	14.00 mm
Gross weight	0,94 kg	Volume	0,002 m³		
Min. quantity	1.00 pcs.	Max. Quantity	1.00 pcs.		

Tender Text

Cover for elbow 45°, with captive pre-mounted turning bolt fasteners in stainless steel, height-independent cover for cable trays elbow 45°. Due to external influences, such as wind loads, outdoor use is only possible with an additional safety device (self-tapping screws, steel band, etc.) For additional requirements, turning bolts RDRS 2 E3 can be used.

VDE certified!

Please observe additional regulations for use in functional maintenance!

for cable trays 45° elbow : RBA ... F

Dimensions (approx. dimension)

Width W (inside) : 304 mm

Material : Steel, hot-dip galvanised according to DIN EN ISO 1461

Material of turning bolt fasteners : Stainless steel, Material No. 1.4571, AISI 316Ti

NIEDAX Model No. : RBADV 300 F

EP Material_____ EP Wage_____

Unit price/piece

Safety & Environment

REACH Date	25.06.2025
REACH Info	Conformable
RoHS Info	Conformable

Origin & International Trade

Country of origin	DE
Federal State of Origin	RP
Customs tariff number	73089059