

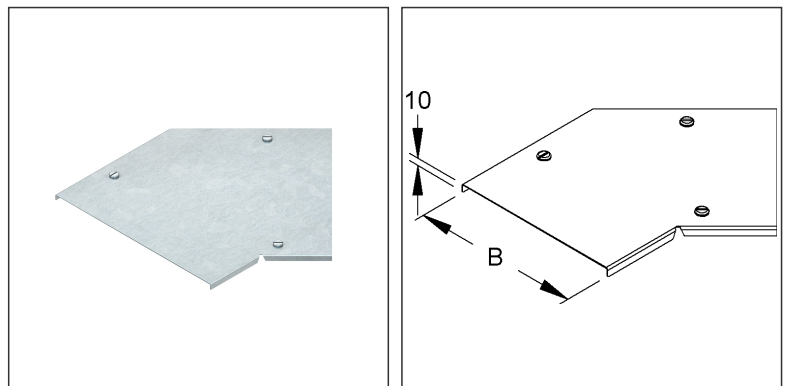
### Cover for Elbow 45°

with pre-assembled turning lock fasteners

### RBADV 600 F

EAN Code: 4013339556205  
Smallest packaging unit: 1 pc.

the photorealistic images are to be considered as reference images



### Article Description

Cover for elbow 45° for cable tray, width 604 mm, with turning bolt, steel, hot dip galvanised DIN EN ISO 1461

### Additional Price Information

Article group	N13
quantity unit	pcs.

### Weight

Weight per quantity unit	2,446 kg / pcs.
Weight in kg per 100	245 kg / 100pcs.

### Physical Article Dimensions

Height	13.30 mm
Width	676 mm
Depth/length	597.50 mm

# Technical Datasheet

## Cable Tray System

RBADV 600 F

the photorealistic images are to be considered as reference images

### Packing Dimension

<b>1 piece = 1 piece</b>		✓ VP1-smallest packaging unit ( PU)			
Lenght	598 mm	Width	676 mm	Height	14.00 mm
Gross weight	2,45 kg	Volume	0,005 m <sup>3</sup>		
Min. quantity	1.00 pcs.	Max. Quantity	1.00 pcs.		

### Tender Text

Cover for elbow 45°, with captive pre-mounted turning bolt fasteners in stainless steel, height-independent cover for cable trays elbow 45°. Due to external influences, such as wind loads, outdoor use is only possible with an additional safety device (self-tapping screws, steel band, etc.) For additional requirements, turning bolts RDRS 2 E3 can be used.

VDE certified!

for cable trays 45° elbow : RBA ... F

Dimensions (approx. dimension)

Width W (inside) : 604 mm

Material : Steel, hot-dip galvanised according to DIN EN ISO 1461

Material of turning bolt fasteners : Stainless steel, Material No. 1.4571, AISI 316Ti

NIEDAX Model No. : RBADV 600 F

EP Material\_\_\_\_\_ EP Wage\_\_\_\_\_

Unit price/piece

### Safety & Environment

REACH Date	25.06.2025
REACH Info	Conformable
RoHS Info	Conformable

### Origin & International Trade

Country of origin	DE
Federal State of Origin	RP
Customs tariff number	73089059